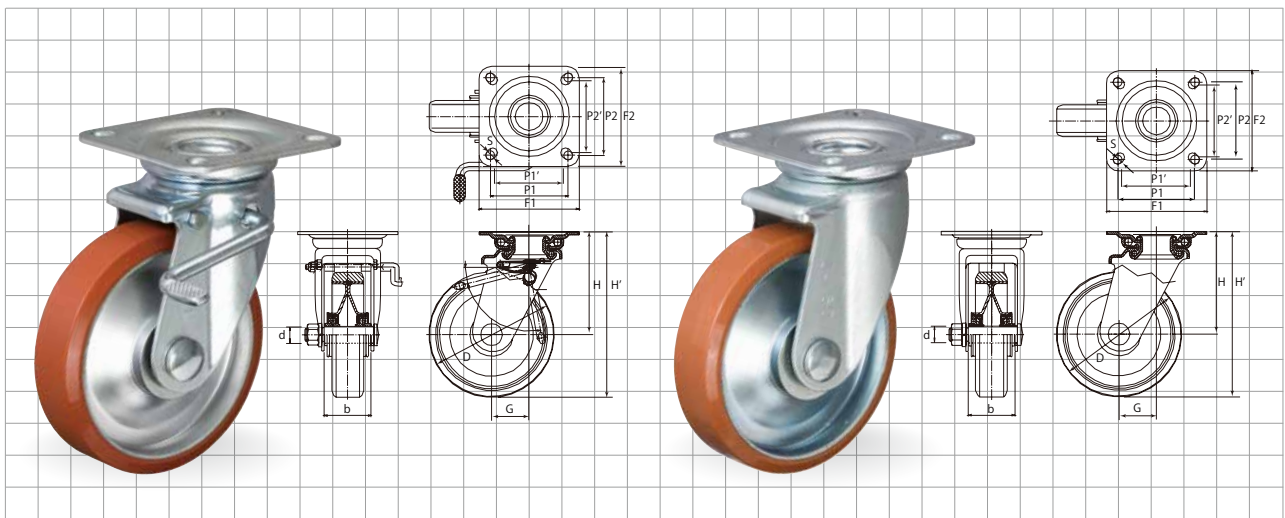


Polyurethane Wheel Type:
Swivel Caster with Lock Brake

P-WJS

Polyurethane Wheel Type:
Swivel Caster

P-WJ



Product Name	Wheel diameter	Mounting Height	Bracket Height	Top plate	Hole pitch	Hole diameter	Fork width	Offset	Shaft	Maximum load		Quantity per case
	D	H'	H	F1/F2	P1/P2 (P1'/P2')	S	b	G	d	N	kg	Qty
P-75WJS	75	100	63	81/81	63/63	9.5	36	23.5	10/M8	1176	120	40
P-100WJS	100	144	94	95/95	73/73 (70/70)	10.5	43	35	12/M10	1764	180	20
P-130WJS	130	177	112	105/105	82/82 (79/79)	11.5	52	40	20/M16	2450	250	10
P-150WJS	150	198	123	120/120	93/93 (87/87)	11.5	56	45	20/M16	2940	300	10
P-200WJS	200	250	150	140/140	112/112	11.5	56	58	20/M16	3920	400	5
P-250WJS	250	305	180	160/160	125/125	14	90	71	25/M16	4900	500	2

Product Name	Wheel diameter	Mounting Height	Bracket Height	Top plate	Hole pitch	Hole diameter	Fork width	Offset	Shaft	Maximum load		Quantity per case
	D	H'	H	F1/F2	P1/P2 (P1'/P2')	S	b	G	d	N	kg	Qty
P-75WJ	75	100	63	81/81	63/63	9.5	36	23.5	10/M8	1176	120	40
P-100WJ	100	144	94	95/95	73/73 (70/70)	10.5	43	35	12/M10	1764	180	20
P-130WJ	130	177	112	105/105	82/8 2(79/79)	11.5	52	40	20/M16	2450	250	10
P-150WJ	150	198	123	120/120	93/93 (87/87)	11.5	56	45	20/M16	2940	300	10
P-200WJ	200	250	150	140/140	112/112	11.5	56	58	20/M16	3920	400	5
P-250WJ	250	305	180	160/160	125/125	14	90	71	25/M16	4900	500	2

For Safe Use

Casters for Middle-Size Loads

Low Starting Resistance Casters

Caster for Tow Trolleys