

SDP-05

DIGITAL POSITION INDICATORS

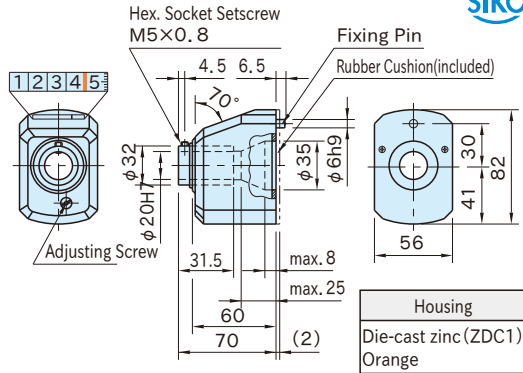


SDP-05H
(Style H)



SDP-05V
(Style V)

On Request



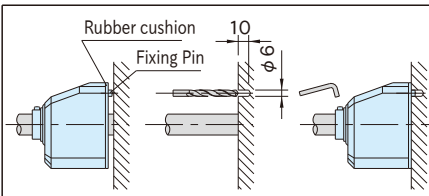
Features

- Reversible rotative direction.
- The adjusting screw allows adjusting the position of displayed figures.
- Using a shaft sleeve allows accepting a shaft of 12mm, 14mm, 15mm or 16mm diameter.
- Displayed figure height : 6mm

Furnished With

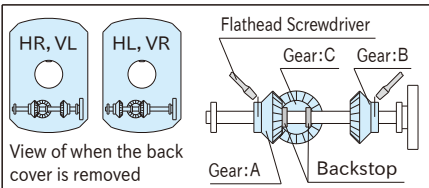
Rubber Cushion

How To Use



- 1 Stick the rubber cushion to the back of the indicator.
- 2 Slide the indicator onto the shaft to the mounting wall to mark a point for a fixing-pin hole with the fixing pin.
- 3 Drill a fixing-pin hole at the marked position.
- 4 Slide the indicator onto the shaft to the mounting wall again and then tighten the setscrew.

How to Reverse Rotative Direction



- Remove the back cover.
- Unfasten Gears A and B using a flathead screwdriver, and then get Gear A disengaged from Gear C.
- Move Gear B to the backstop to get it engaged with Gear C

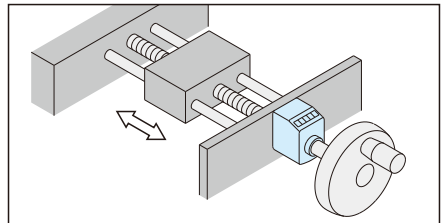
Notes

- Ensure that the start-up revolution speed is 1/3 or less of the allowable revolution speed.
- Do not give rapid acceleration or sudden stop.
- These position indicators can not be used in applications where the shaft moves in the axial direction.

Technical Information

Working temperature : Up to 80°C

Application Example



Display Example

