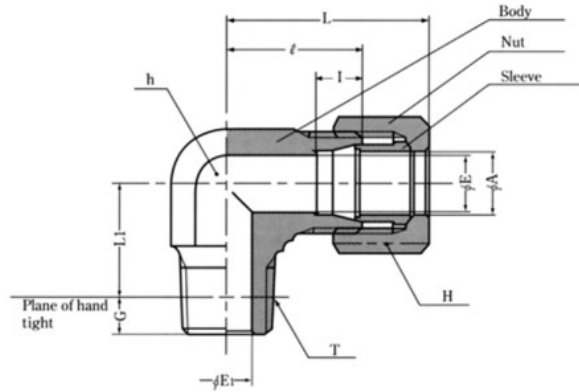


B Series Bite Type Fittings for Copper Tube

Male Elbow KLN



unit : mm

Designations	Tube O.D. A	Minimum Opening		Normal engagement of pipe thread by hand G	Width Across Flats h	Width Across Hex. Flats H	I	ℓ	Approx. L	Approx. L ₁	(R) T	Weight (kg)
		E	E ₁									
KLN4-R ¹ / ₈ -B	4	2.5	4	3.97	12	12	6	15	23	13	¹ / ₈	0.028
KLN6-R ¹ / ₈ -B	6	4	4	3.97	14	14	7	20	29.5	14	¹ / ₈	0.043
KLN6-R ¹ / ₄ -B	6	4	6	6.01	17	14	7	22	31.5	18	¹ / ₄	0.069
KLN6-R ³ / ₈ -B	6	4	8.5	6.35	19	14	7	24	33.5	21	³ / ₈	0.084
KLN8-R ¹ / ₈ -B	8	6	8.5	6.35	19	17	7	24	35	21	³ / ₈	0.071
KLN8-R ¹ / ₄ -B	8	6	4	3.97	17	17	7	22	33	16	¹ / ₈	0.073
KLN8-R ³ / ₈ -B	8	6	6	6.01	17	17	7	22	33	18	¹ / ₄	0.096
KLN10-R ¹ / ₄ -B	10	8	6	6.01	17	19	7	23	35.5	19	¹ / ₄	0.081
KLN10-R ³ / ₈ -B	10	8	8.5	6.35	19	19	7	24	35.5	21	³ / ₈	0.103
KLN10-R ¹ / ₂ -B	10	8	12	8.16	23	19	7	27	39.5	25.8	¹ / ₂	0.190
KLN12-R ¹ / ₄ -B	12	10	6	6.01	19	21	7	24	36.5	20	¹ / ₄	0.103
KLN12-R ³ / ₈ -B	12	10	8.5	6.35	19	21	7	24	36.5	21	³ / ₈	0.106
KLN12-R ¹ / ₂ -B	12	10	12	8.16	23	21	7	29	41.5	25.8	¹ / ₂	0.163
KLN15-R ³ / ₈ -B	15	12	8.5	6.35	23	26	7.5	29	41.5	24	³ / ₈	0.179
KLN15-R ¹ / ₂ -B	15	12	12	8.16	23	26	7.5	29	41.5	25.8	¹ / ₂	0.189
KLN16-R ³ / ₈ -B	16	13	8.5	6.35	26	29	7.5	31	44.5	26	³ / ₈	0.252
KLN16-R ¹ / ₂ -B	16	13	12	8.16	26	29	7.5	31	44.5	27.8	¹ / ₂	0.260
KLN18-R ¹ / ₂ -B	18	15	12	8.16	29	32	8	33	45.5	29.9	¹ / ₂	0.317
KLN20-R ¹ / ₂ -B	20	17	12	8.16	29	35	8	33	45.5	30	¹ / ₂	0.312
KLN20-R ³ / ₄ -B	20	17	17	9.53	29	35	8	33	45.5	30.5	³ / ₄	0.322
KLN22-R ³ / ₄ -B	22	18	17	9.53	32	35	9	35	47.5	32.5	³ / ₄	0.383
KLN25-R ³ / ₄ -B	25	20	17	9.53	35	41	10	36	49.5	33.5	³ / ₄	0.489
KLN25-R1-B	25	20	22	10.39	35	41	10	36	49.5	35.6	1	0.509

⚠ Note: Dimension might be modified due to improvement of quality and performance.