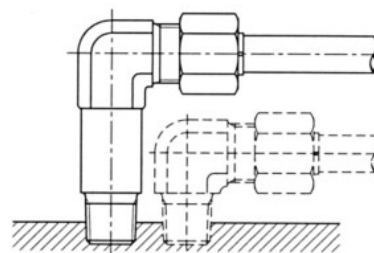
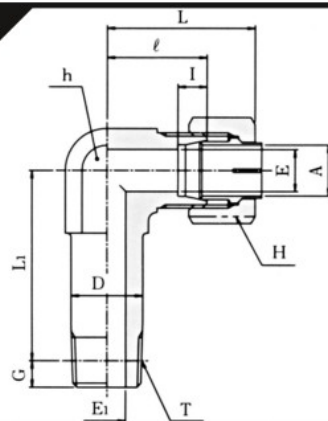


ロング エルボ

EXTENDED MALE ELBOW



使用例
Example of Use

単位：mm / Unit: mm

継手の呼び Part No.	適用管 外径 Out. Dia. of Applied Pipe A	(R) T	E	E ₁	基準径の位置 Engagement Fingertight G	二面幅 Width across flats h	六角対辺 Hex Width H	I	D	ℓ	手締め(約) Fingertight Length (about) L	(約) L ₁	重量 Weight (kg)
KLL06-010E	6	1/8	4	4	3.97	14	14	7	12	20	30.5	36	0.058
KLL06-020E	6	1/4	4	7	6.01	17	14	7	16	23	33.5	40	0.093
KLL08-020E	8	1/4	6	7	6.01	17	17	7	16	23	33.5	43	0.103
KLL08-030E	8	3/8	6	9	6.35	19	17	7	18	24	34.5	48.5	0.121
KLL10-020E	10	1/4	8	7	6.01	17	19	7	16	23	34.5	46	0.113
KLL12-020E	12	1/4	10	7	6.01	19	22	7	18	24	35.5	52	0.156
KLL12-030E	12	3/8	10	9	6.35	19	22	7	18	24	35.5	53	0.156
KLL15-030E	15	3/8	12	9	6.35	22	27	7.5	23	29	41.5	61.5	0.259
KLL15-040E	15	1/2	12	12	8.16	22	27	7.5	23	29	41.5	67	0.261
KLL16-030E	16	3/8	13	9	6.35	24	30	7.5	24	32	44.5	68.5	0.331
KLL16-040E	16	1/2	13	12	8.16	24	30	7.5	24	32	44.5	70	0.329
KLL18-040E	18	1/2	14	12	8.16	27	32	8	26	32	44.5	77	0.425
KLL20-040E	20	1/2	17	12	8.16	30	36	8	28	33	45.5	84	0.538
KLL20-060E	20	3/4	17	16	9.53	30	36	8	28	33	45.5	82.5	0.507
KLL22-060E	22	3/4	18	16	9.53	32	36	9	30	34	46.5	83.5	0.566
KLL25-060E	25	3/4	20	16	9.53	36	41	10	35	36	49.5	90.5	0.974
KLL25-080E	25	1	20	22	10.39	36	41	10	35	36	49.5	91.5	0.898
KLL28-080E	28	1	22	22	10.39	41	46	10	40	41	55	104.5	1.195
KLL30-100E	30	1 1/4	25	31	12.70	46	46	10	44	46	60.5	104.5	1.242
KLL35-100E	35	1 1/4	28	31	12.70	46	55	11	44	46	63.5	121.5	1.401

注. 予告なしに、品質・性能・改善のため寸法を変更する事があります。

Note. Dimensions might be modified due to improvement of quality and performance.