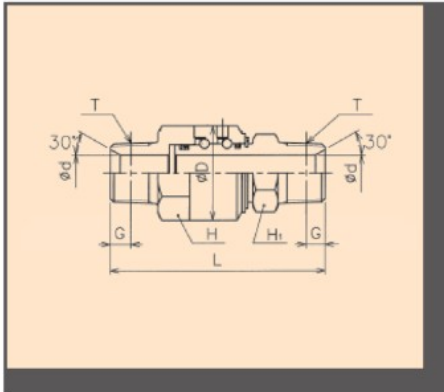


Type : SJM

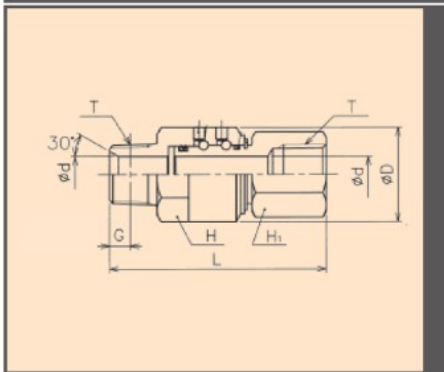
Straight type (21 MPa)



SJM4 * * - 4 * *

Unit : mm

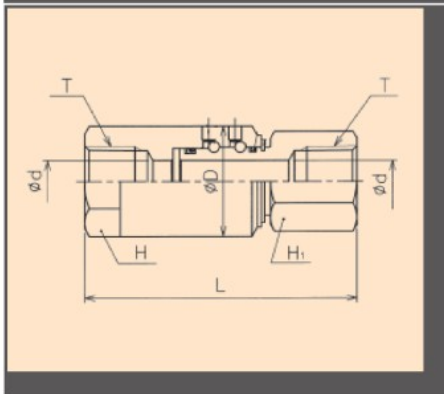
Model Nos.	T (R)	d	D	Hex. width			G
				L	H	H1	
SJM402-402	1/4	5	25.5	64	22	14	6.01
SJM403-403	3/8	8	28.5	75	22	19	6.35
SJM404-404	1/2	11.5	33	85	27	22	8.16
SJM406-406	3/4	16	42	97	36	30	9.53
SJM408-408	1	20	47.5	107	41	36	10.39
SJM410-410	1 1/4	26	58	126.5	50	46	12.7



SJM4 * * - 5 * *

Unit : mm

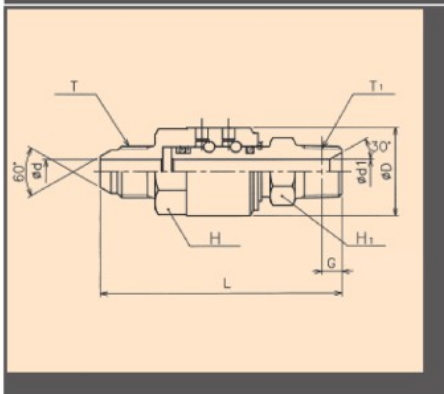
Model Nos.	T (R×Rc)	d	D	Hex. size			G
				L	H	H1	
SJM402-502	1/4	5	25.5	61	22	19	6.01
SJM403-503	3/8	8	28.5	72	22	24	6.35
SJM404-504	1/2	11.5	33	82	27	30	8.16
SJM406-506	3/4	16	42	94	36	36	9.53
SJM408-508	1	20	47.5	104	41	46	10.39
SJM410-510	1 1/4	26	58	123.5	50	55	12.7



SJM5 * * - 5 * *

Unit : mm

Model Nos.	T (Rc)	d	D	Hex. width		
				L	H	H1
SJM502-502	1/4	5	25.5	62	22	19
SJM503-503	3/8	8	28.5	73	24	24
SJM504-504	1/2	11.5	33	84	30	30
SJM506-506	3/4	16	42	94	36	36
SJM508-508	1	20	—	105	50	46
SJM510-510	1 1/4	26	—	124	60	55



SJM6 * * - 4 * *

Unit : mm

Model Nos.	T (G)	T1 (R)	d	d1	D	Hex. width			G
						L	H	H1	
SJM602-402	1/4	1/4	5	5	25.5	66	22	14	6.01
SJM603-403	3/8	3/8	8	8	28.5	77.5	22	19	6.35
SJM604-404	1/2	1/2	11	11.5	33	86	27	22	8.16
SJM606-406	3/4	3/4	16	16	42	97.5	36	30	9.53
SJM608-408	1	1	20	20	47.5	105.5	41	36	10.39
SJM610-410	1 1/4	1 1/4	26	26	58	126.5	50	46	12.7