



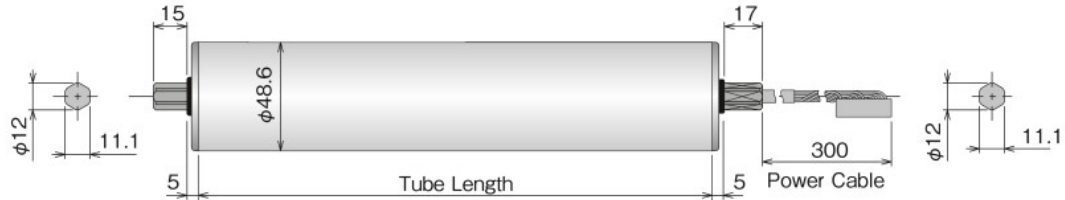
Minimum tube length



Spring loaded shaft

MDR Brushless DC Motor standard type PM486FERoller diameter $\varnothing 48.6$ **Roller diameter $\varnothing 48.6$
PM486FE**

- Roller diameter / $\varnothing 48.6$
- Thickness / t1.4
- Voltage / 24V DC
- Tube material / STKM12
- Surface treatment / Trivalent chromate processing

**Tube Length : PM486FE**

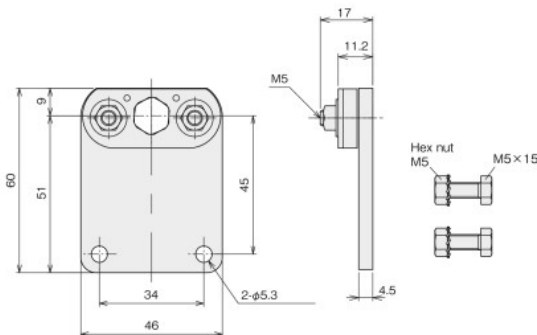
	290mm		290mm \leq						
Tube Length (mm)	300	400	500	600	700	800	900	1000	
Weight (kg)	2.4	2.5	2.7	2.8	3.0	3.1	3.3	3.4	
Spring loaded shaft	<input type="checkbox"/>	<input type="checkbox"/>	<input type="checkbox"/>	<input type="checkbox"/>	<input type="checkbox"/>	<input type="checkbox"/>	<input type="checkbox"/>	<input type="checkbox"/>	

- Conveyor frame inside dimension and frame hole shape vary by the manufacturer.
- A gap of 2-5mm is required between the frame inside dimension and Power Moller.

Product Designation :**PM486FE - 17 - 400 - D - 024 - BR**

Power Moller model Nominal Speed Tube Length Voltage Options

- Motor type : FE
- Nominal Speed : 17,60,90
- Tube Length : Specify in mm.
- Voltage : D-024 (24VDC)
- Options : Each of the following optional specification may be selected.

Mounting Bracket : No.MBB-081

- *Attach to the power cable side.
- Apply 6-10Nm torque for securing the Power Moller mounting shaft, and 3.5Nm for securing the bracket.

Options : PM486FE

- Rubber Laggings - NR, UR, NB, CR**
Natural rubber, Urethane, NBR, Neoprene
- BR Built-In Brake - BR** ^{#1}
 360mm 360mm \leq
- DR Drip Proof** ^{#2}
 300mm 300mm \leq
- WA Water Proof** ^{#2}
 310mm 310mm \leq
- VG Poly V-Belt Pulley**
 290mm 290mm \leq
- VP V-Belt Pulley**
 300mm 300mm \leq
- P2 Double Grooved Tube** ^{#3}
 340mm 340mm \leq

JD**Both-end D-shaped shaft**

- ^{#1} When holding type built-in brake is required, specify along with a driver card compatible with such brake specification.
[Electric brake (without holding function) is equipped as a standard specification.]
Nominal speed 90m/min rollers are not applicable.
- ^{#2} Manufacturability and tube length are different depending on the specification combination, contact our sales support.
(A standard mounting bracket is No. MBD-081-D.)
- ^{#3} Up to 800mm can be produced.