



## 2-piece fixing ties for heavy duty applications, for screws

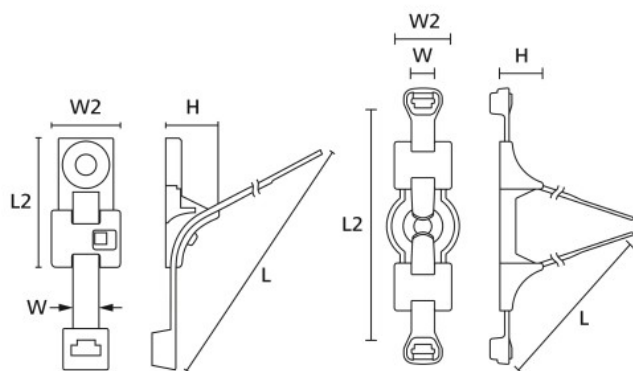
Used in the automotive and truck industry for harness fixing in the engine body, these parts offer solutions in many other industrial applications with difficult environment.

### Features and benefits

- Pre-assembled 2-piece fixing tie
- Cable tie head can be moved after bundling
- Secure alignment to the bundle due to H-design
- A suitable alternative for metal clamps
- Withstands vibrations and displacement forces
- High tightening torque through metal bushing



These HDM (Heavy duty mount) are suitable for assembling on screws.



HDM with cable tie  
(L = length of the tie "flat")

DHDM with cable tie  
(L = length of the tie "flat")



DHDM (Double heavy duty mount) for parallel routing of bundles.

### HDM-Series

TYPE	Width (W2)	Length (L2)	Height (H)	Mounting Screw Type	Width (W)	Length (L)	Material	Bundle Ø max.	Colour	Tools	Article-No.
T120SHDM8	20.0	38	15.6	M8	7.6	225.0	PA46	55.0	Grey (GY)	10;12;15	156-00429
T50RHDM6	20.0	37.5	16.0	M6	4.6	200.0	PA66HIRHS	50.0	Black (BK)	2-3;5-6;8;10	156-00410
T120RHDM6	20.0	37.5	16.0	M6	7.6	390.0	PA46	105.0	Grey (GY)	3;10-12	156-00407
	20.0	37.5	16.0	M6	7.6	390.0	PA66HIRHS	105.0	Black (BK)	3;10-12	156-00406
T50RHDM8	20.0	37.5	16.0	M8	4.6	200.0	PA66HIRHS	50.0	Black (BK)	2-3;5-6;8;10	156-00412
X120RHDM 65x160	32.0	40.2	15.5	M6	7.7	369.0	PA66HIRHS	100.0	Black (BK)	3;10-12	156-01466
T120RHDM8	20.0	37.5	16.0	M8	7.6	390.0	PA46	105.0	Grey (GY)	3;10-12	156-00409
	20.0	37.5	16.0	M8	7.6	390.0	PA66HIRHS	105.0	Black (BK)	3;10-12	156-00408

All dimensions in mm. Subject to technical changes.

### DHDM-Series for parallel routing

TYPE	Width (W2)	Length (L2)	Height (H)	Mounting Screw Type	Width (W)	Length (L)	Material	Bundle Ø max.	Colour	Tools	Article-No.
T120ROSDHDM6	25.4	59.4	15.5	M6	7.6	385.0	PA66HS, PA66W	105.0	Black (BK)	3;6;10-12	156-01485
X120RDHDM6	25.4	59.4	15.5	M6	7.7	369.0	PA66HIRHS	100.0	Black (BK)	3;10-12	156-01096
X120RDHDM8	25.4	59.4	15.5	M8	7.7	369.0	PA66HIRHS	100.0	Black (BK)	3;10-12	156-01097

All dimensions in mm. Subject to technical changes.

