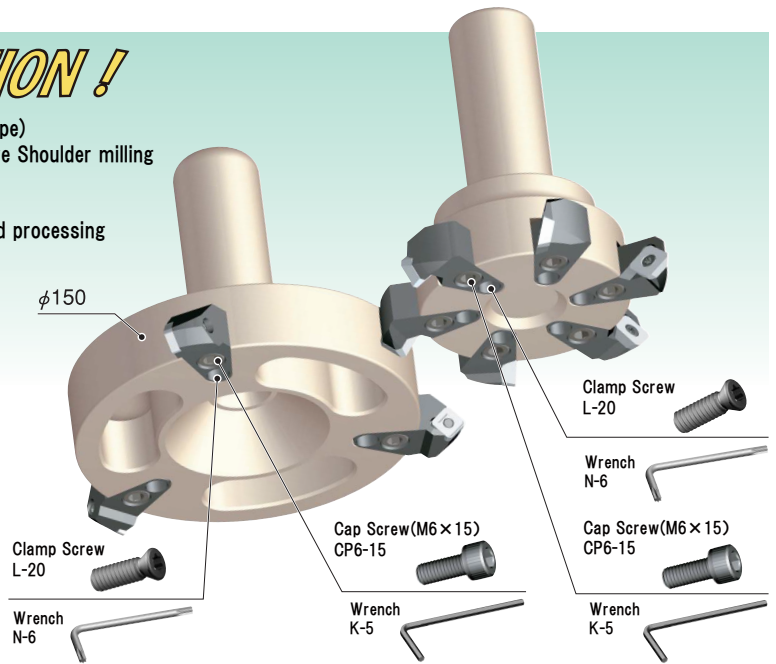
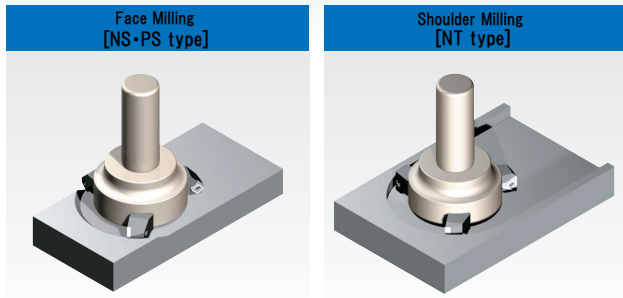
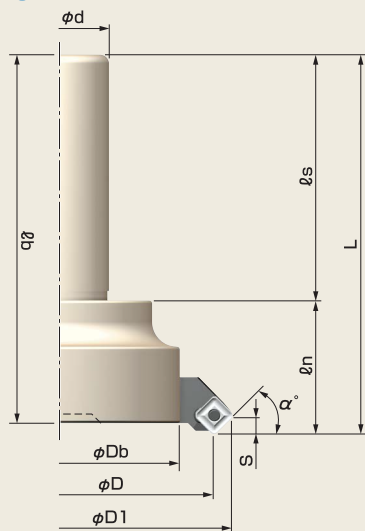


NEW INNOVATIVE EVOLUTION!

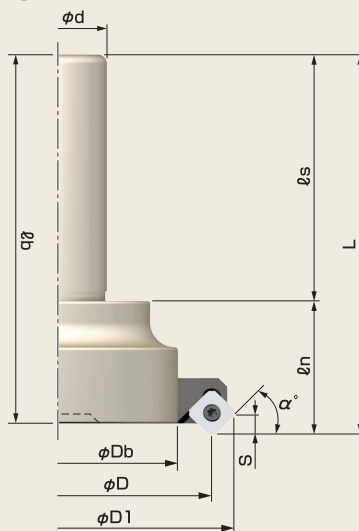
- NS (negative S type) · PS (positive S type) · NT (negative T type)
Multi-Structure realized Negative/Positive face milling and Negative Shoulder milling
- Exchangeable processing diameter by changing
BASE and again exchangeable processing type by changing ARM
- 3-blades and 6-blades are available and can be used for high speed processing



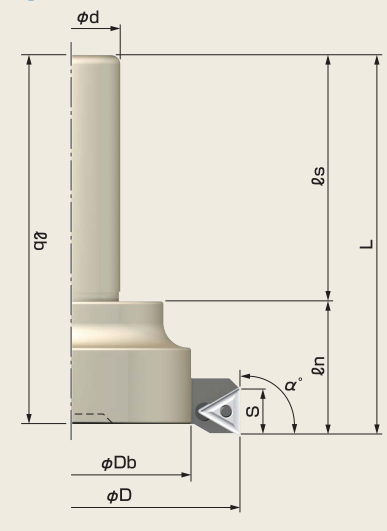
1 NS type (Negative S)



2 PS type (Positive S)



3 NT type (Negative T)



Body

Model No.	Fig.	Blades	Dimensions (mm)										(g)	α°	Inserts	base	arm
			φD	φD1	φDb	φd	L	ℓs	ℓn	ℓb	S						
NS	NKN20-100S-03	1	3	100	112	78	20	123.5	80	43.5	120	5.0	1,525	45	S32MOZ / S32GUR		AMNS-03
	NKN32-100S-03	1	3	100	112	78	32	123.5	80	43.5	120	5.0	1,825	45	S32MOZ / S32GUR	NK32078-03	AMNS-03
	NKN20-130S-03	1	3	130	142	108	20	123.5	80	43.5	120	5.0	2,755	45	S32MOZ / S32GUR		AMNS-03
	NKN32-130S-03	1	3	130	142	108	32	123.5	80	43.5	120	5.0	3,055	45	S32MOZ / S32GUR	NK32108-03	AMNS-03
	NKN32-150S-03	1	3	150	162.5	128	32	120	85	35	116.5	5.0	2,505	45	S32MOZ / S32GUR	NK32128-03	AMNS-03
	NKN32-100S-06	1	6	100	112	78	32	123.5	80	43.5	120	5.0	1,890	45	S32MOZ / S32GUR	NK32078-06	AMNS-06
PS	NKN32-130S-06	1	6	130	142	108	32	123.5	80	43.5	120	5.0	3,120	45	S32MOZ / S32GUR	NK32108-06	AMNS-06
	NKP32-100S-03	2	3	100	115	78	32	123.5	80	43.5	120	6.2	1,834	45	S3H3MNZ / S3H3GNZ	NK32078-03	AMPS-03
	NKP32-130S-03	2	3	130	145	108	32	123.5	80	43.5	120	6.2	3,064	45	S3H3MNZ / S3H3GNZ	NK32108-03	AMPS-03
	NKP32-150S-03	2	3	150	164.7	128	32	120	85	35	116.5	6.2	2,514	45	S3H3MNZ / S3H3GNZ	NK32128-03	AMPS-03
	NKP32-100S-06	2	6	100	115	78	32	123.5	80	43.5	120	6.2	1,908	45	S3H3MNZ / S3H3GNZ	NK32078-06	AMPS-06
	NKP32-130S-06	2	6	130	145	108	32	123.5	80	43.5	120	6.2	3,138	45	S3H3MNZ / S3H3GNZ	NK32108-06	AMPS-06
NT	NKN32-110T-03	3	3	110		78	32	123.5	80	43.5	120	14.5	1,849	90	T33MOZ / T33MOR / T33GUR	NK32078-03	AMNT-03
	NKN32-140T-03	3	3	140		108	32	123.5	80	43.5	120	14.5	3,079	90	T33MOZ / T33MOR / T33GUR	NK32108-03	AMNT-03
	NKN32-160T-03	3	3	160		128	32	120	85	35	116.5	14.5	2,529	90	T33MOZ / T33MOR / T33GUR	NK32128-03	AMNT-03
	NKN32-110T-06	3	6	110		78	32	123.5	80	43.5	120	14.5	1,938	90	T33MOZ / T33MOR / T33GUR	NK32078-06	AMNT-06
	NKN32-140T-06	3	6	140		108	32	123.5	80	43.5	120	14.5	3,168	90	T33MOZ / T33MOR / T33GUR	NK32108-06	AMNT-06

※ Insert is not equipped as standard accessories. Please order separately

※ Clamp screw, lock pin, cap screw and wrench are supplied as standard accessories



When mounting or replacing insert, please do not take reverse tightening.

Due to the eccentricity locking mechanism, poor accuracy or breakage of insert may be occurred by reverse tightening

(NS, NT)