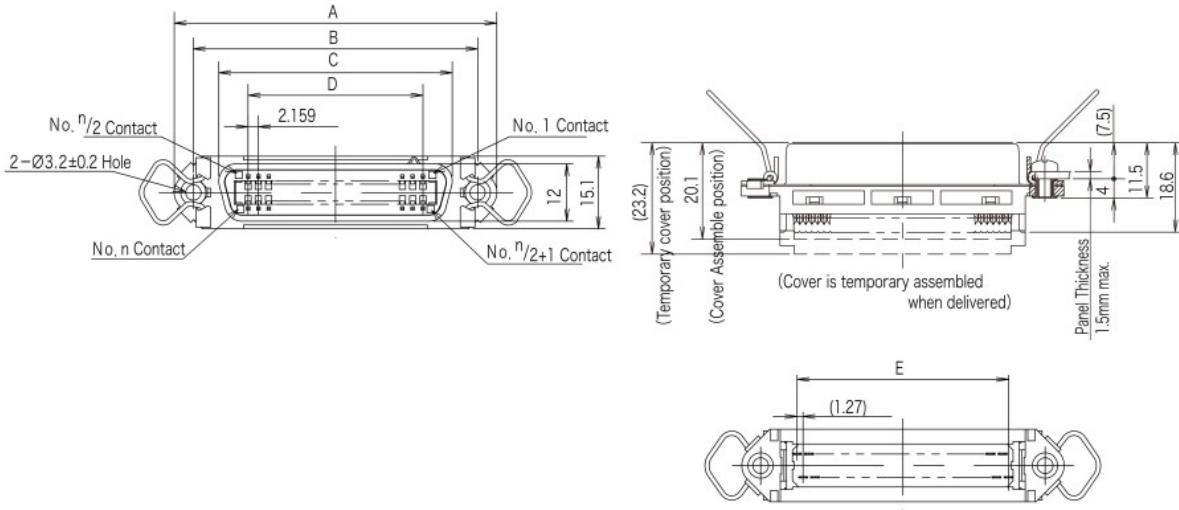


▶ Panel Receptacle

57FE-40360-20S

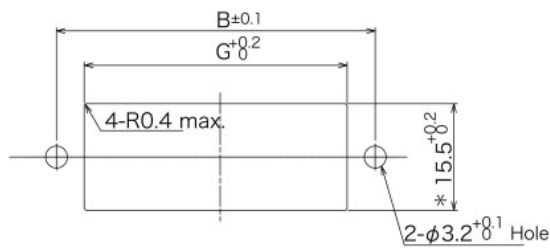
Number of Contact : 14, 24, 36, 50	Strain Relief No Digit : None S : With Plastic Strain Relief
Contact Plating 2 : Au0.4 μ m over Ni Plating	Cover Style 0 : Open-ended Cover, Blue A : Close-ended Cover, Blue(for 14,24 and 36 pin only)



Number of Contact	A	B	C	D	E
14	44.0	36.00	25.4	12.954	16.51
24	54.78	46.78	36.2	23.749	29.21
36	67.74	59.74	49.0	36.703	44.45
50	82.85	74.85	64.2	51.816	62.23

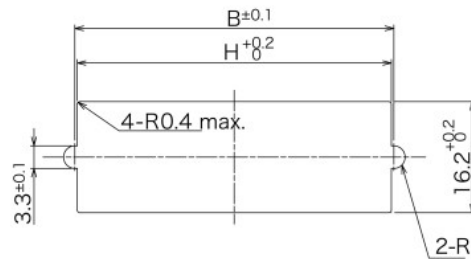
■ Panel Mounting Dimensions

● Front Mounting Type



● Rear Mounting Type

Panel Thickness : 1.6mm max.



* : When the mating connector is 57FE-10 type, the size is 16.2^{+0.2}₀.

Number of Contact	B	G	
		Without Strain Relief	with Strain Relief
14	36.00	23.7	25.6
24	46.78	36.8	38.7
36	59.74	52.0	53.9
50	74.85	69.0	70.9

Number of Contact	B	H
14	36.00	35.30
24	46.78	46.08
36	59.74	59.04
50	74.85	74.15

© Specifications and/or dimensions in this catalog are subject to change without notice.
Please verify the latest specifications with our drawings.