

## 2M-100 • 3M-100 • 4M-100

1

 $\mu\text{m}$ 

0.588

N  
Measuring  
Force

0.784

N  
Measuring  
Force $\pm 0.05$ mm  
Measurement  
Range

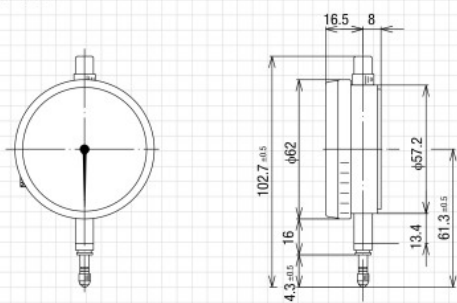
無

Output

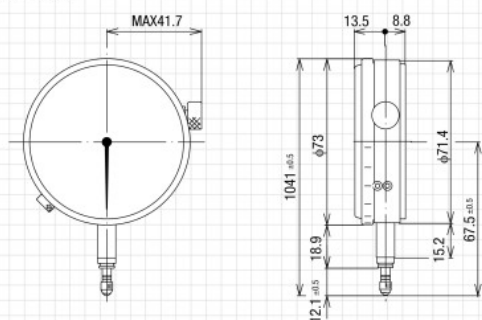
8

mm  
Stem  
Diameter

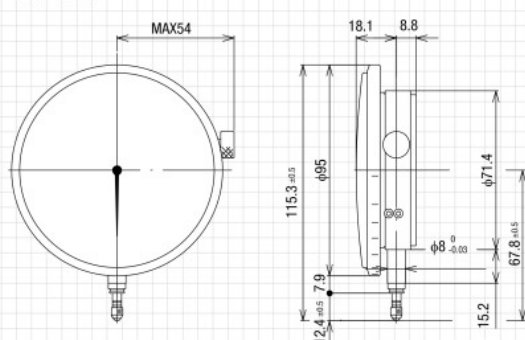
2M-100

The low-priced version has a graduation of 1  $\mu\text{m}$ .

3M-100

The standard type has a graduation of 1  $\mu\text{m}$ .

4M-100P

The high-precision type has a graduation of 0.5  $\mu\text{m}$ .

Model	2M-100	3M-100	4M-100
Graduation	1 $\mu\text{m}$	1 $\mu\text{m}$	0.5 $\mu\text{m}$
Range	$\pm 0.05$ mm	$\pm 0.05$ mm	$\pm 0.05$ mm
Precision	$\pm 1$ $\mu\text{m}$	$\pm 1$ $\mu\text{m}$	$\pm 0.5$ $\mu\text{m}$
Measuring force	0.784 N	0.588 N	
Spindle stroke	2.8 mm		
Standard attachments	Contact point *1	F-001	
	Back	F-M101	F-M100
	Release	M-140	
Option	Rubber bellows	M-131	

\*1 Various other contact points are available.