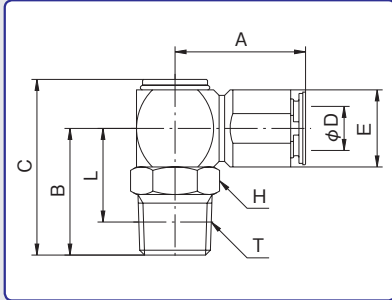


タッチコネクター FUJI

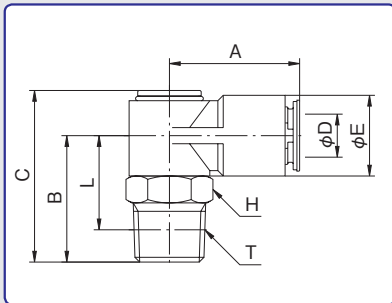
TOUCH CONNECTOR FUJI

シングルバンジョー [金属] SINGLE BANJO [METAL BODY]



型式 Model	A	B	C	適用 チューブ 外径 Tube O. D. ϕD	E	二面幅 Spanner Flats H	L	ねじサイズ Thread T	チューブ 挿入寸法 Tube Insertion Depth	重量 Weight (g)
4-M5S1	20.0	14.0	20.8	4	10.0	10.0	10.5	M5×0.8	15.0	16.5
4-01S1	20.0	18.0	24.8	4	10.0	10.0	14.0	R1/8	15.0	19.5
4-02S1	20.0	21.0	27.8	4	10.0	14.0	15.0	R1/4	15.0	26.0
6-M5S1	21.7	15.0	22.8	6	12.0	12.0	11.5	M5×0.8	16.3	24.0
6-01S1	21.7	19.0	26.8	6	12.0	12.0	15.0	R1/8	16.3	26.0
6-02S1	21.7	22.0	29.8	6	12.0	14.0	16.0	R1/4	16.3	31.5
6-03S1	21.7	23.0	30.8	6	12.0	17.0	16.6	R3/8	16.3	39.0
8-01S1	23.7	20.0	28.9	8	14.0	14.0	16.0	R1/8	17.0	36.0
8-02S1	23.7	23.0	31.9	8	14.0	14.0	17.0	R1/4	17.0	40.0
8-03S1	23.7	24.0	32.9	8	14.0	17.0	17.6	R3/8	17.0	47.5
10-01S1	26.6	21.5	32.1	10	17.0	17.0	17.5	R1/8	17.8	58.0
10-02S1	26.6	24.5	35.1	10	17.0	17.0	18.5	R1/4	17.8	60.5
10-03S1	26.6	25.5	36.1	10	17.0	17.0	19.1	R3/8	17.8	65.5
10-04S1	26.6	29.5	40.1	10	17.0	21.0	21.5	R1/2	17.8	84.5
12-02S1	29.1	25.5	37.1	12	19.0	19.0	19.5	R1/4	19.4	80.5
12-03S1	29.1	26.5	38.1	12	19.0	19.0	20.1	R3/8	19.4	81.5
12-04S1	29.1	30.5	42.1	12	19.0	21.0	22.5	R1/2	19.4	96.0

シングルバンジョー [樹脂] SINGLE BANJO [RESIN BODY]



型式 Model	A	B	C	適用 チューブ 外径 Tube O. D. ϕD	ϕE	二面幅 Spanner Flats H	L	ねじサイズ Thread T	チューブ 挿入寸法 Tube Insertion Depth	重量 Weight (g)
4R-M5S1	20.0	14.5	20.8	4	11.0	10.0	11.0	M5×0.8	15.0	9.5
4R-01S1	20.0	18.5	24.8	4	11.0	10.0	14.5	R1/8	15.0	12.0
4R-02S1	20.0	21.5	27.8	4	11.0	14.0	15.5	R1/4	15.0	18.5
6R-M5S1	21.7	15.5	22.8	6	13.0	12.0	12.0	M5×0.8	16.3	14.0
6R-01S1	21.7	19.5	26.8	6	13.0	12.0	15.5	R1/8	16.3	16.0
6R-02S1	21.7	22.5	29.8	6	13.0	14.0	16.5	R1/4	16.3	22.0
6R-03S1	21.7	23.5	30.8	6	13.0	17.0	17.1	R3/8	16.3	29.5
8R-01S1	24.2	20.5	28.9	8	15.0	14.0	16.5	R1/8	17.5	22.5
8R-02S1	24.2	23.5	31.9	8	15.0	14.0	17.5	R1/4	17.5	26.5
8R-03S1	24.2	24.5	32.9	8	15.0	17.0	18.1	R3/8	17.5	34.5
10R-01S1	26.6	21.5	32.1	10	17.0	17.0	17.5	R1/8	18.3	35.0
10R-02S1	26.6	24.5	35.1	10	17.0	17.0	18.5	R1/4	18.3	37.5
10R-03S1	26.6	25.5	36.1	10	17.0	17.0	19.1	R3/8	18.3	42.0
10R-04S1	26.6	29.5	40.1	10	17.0	21.0	21.5	R1/2	18.3	57.5
12R-02S1	29.1	26.0	37.1	12	20.0	19.0	20.0	R1/4	19.4	50.5
12R-03S1	29.1	27.0	38.1	12	20.0	19.0	20.6	R3/8	19.4	51.0
12R-04S1	29.1	31.0	42.1	12	20.0	21.0	23.0	R1/2	19.4	64.5