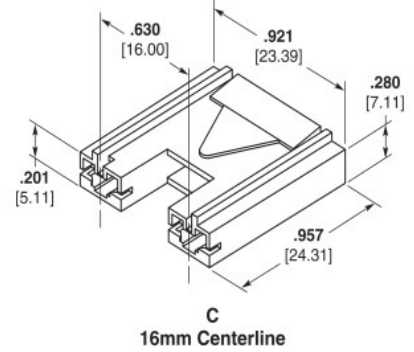
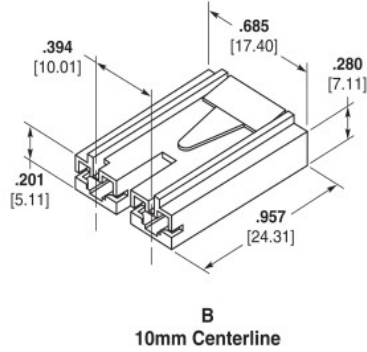
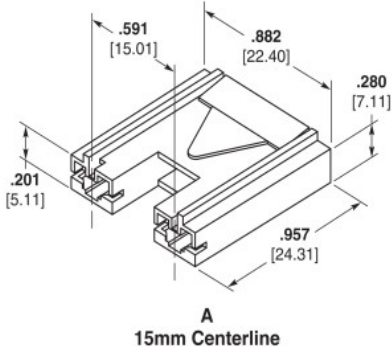


FASTON Housings (Continued)

187 Series Connector



| Style | Material | UL 94 | Color | Part Number | Accepts Terminals |
|-------|----------|-------|---------|-------------|---------------------------|
| A | Nylon | V0 | Natural | 176498-1 | 170324, 170325, 170326 |
| | | | Black | 176498-2 | |
| | | | Yellow | 176498-4 | |
| | | | Blue | 176498-6 | |
| B | Nylon | V0 | Natural | 179720-1 | 170324, 170325, 170326 |
| | | | Black | 179720-2 | |
| | | | Yellow | 179720-4 | |
| | | | Blue | 179720-6 | |
| | | | Red | 179720-7 | |
| C | Nylon | V0 | Natural | 353148-1 | 170324, 170325, 170326 |
| | | | Yellow | 353148-4 | |
| | | | Green | 353148-5 | |
| | | | Blue | 353148-6 | |

Note: All part numbers are RoHS compliant.