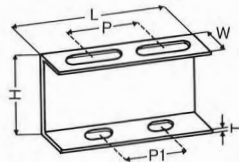


## Spaceman

**A10666** Dip-plated spaceman

**A12171** Stainless steel spaceman



Support stand for floor pipes and vertical pipes

Part number A10666 Dip-plated spaceman (SPHC material, hot-dip galvanized finish)

A12171 Stainless steel spaceman (SUS304)

Units (mm)

Size code		Model number	T		L	H	W	P	P hole diameter	P <sub>1</sub>	P <sub>1</sub> hole diameter	Used U-bolt size
A10666	A12171		Dip-plated	Stainless								
0155	0138	S-1575	4.5	4.0	150	75	40	70	φ11×60	60	φ11×25	W <sup>3</sup> / <sub>8</sub> ×80A max.
0160	0142	S-1510	4.5	4.0	150	100	50	70	φ11×60	60	φ11×25	
0174	0157	S-1512	6.0	6.0	150	125	65	70	φ11×60	60	φ11×25	
0189	0161	S-1515	6.0	6.0	150	150	75	70	φ11×60	60	φ11×25	
0013	0015	S-2075	5.0	5.0	200	75	40	95	φ11×85	100	φ11×25	W <sup>3</sup> / <sub>8</sub> ×125A max.
0028	0020	S-2010	5.0	5.0	200	100	50	95	φ11×85	100	φ11×25	
0032	0034	S-2012	6.0	6.0	200	125	65	95	φ11×85	100	φ11×25	
0047	0049	S-2015	6.0	6.0	200	150	75	95	φ11×85	100	φ11×25	
0051	0053	S-2575	5.0	5.0	250	75	40	120	φ11×110	100	φ11×25	W <sup>3</sup> / <sub>8</sub> ×150A max.
0066	0068	S-2510	5.0	5.0	250	100	50	120	φ11×110	100	φ11×25	
0085	0072	S-2512	6.0	6.0	250	125	65	120	φ11×110	100	φ11×25	
0090	0087	S-2515	6.0	6.0	250	150	75	120	φ11×110	100	φ11×25	

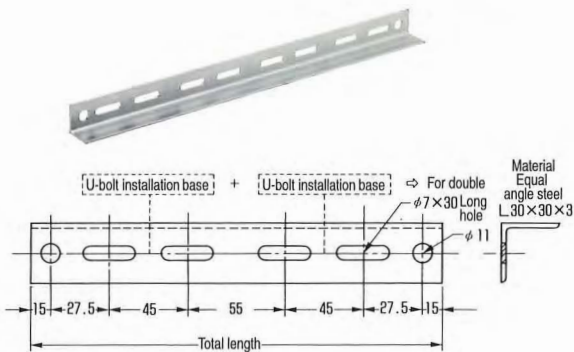
**A10668** Parallel mounting bracket for copper pipe Confirm delivery

Parallel mounting angle for copper pipe

Part number A10668

Parallel mounting bracket for copper pipe

Units (mm)



Size code	Number of connections	Hanging bolt diameter	Hanging bolt pitch	Total length	Remarks
0018	2	W <sup>3</sup> / <sub>8</sub> ·M10	200	230	
0022	3	W <sup>3</sup> / <sub>8</sub> ·M10	300	330	
0037	4	W <sup>3</sup> / <sub>8</sub> ·M10	400	430	
0041	5	W <sup>3</sup> / <sub>8</sub> ·M10	500	530	
0056	6	W <sup>3</sup> / <sub>8</sub> ·M10	600	630	
0075	7	W <sup>3</sup> / <sub>8</sub> ·M10	700	730	
0080	8	W <sup>3</sup> / <sub>8</sub> ·M10	800	830	

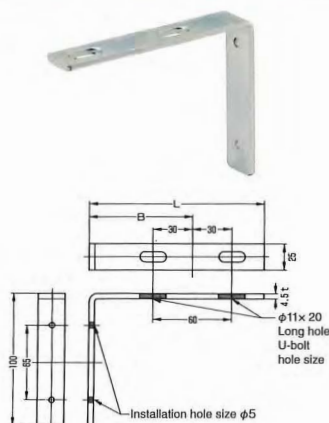
**A10678** L bracket for under-sink drain Confirm delivery

L-shaped bracket to support drain piping under a sink

Part number A10678

L bracket for under-sink drain

Units (mm)



Size code	Size	B	L	Remarks
0033	40A×P 50	50	100	
0029	40A×P 60	60	110	
0014	40A×P 70	70	120	
0048	40A×P 80	80	130	
0052	40A×P 90	90	140	
0067	40A×P100	100	150	
0071	40A×P110	110	160	
0086	40A×P120	120	170	

