

Saddle Bands

A10453 Stainless steel thick saddle

Stainless steel saddle band for steel pipe

Part number A10453 Stainless steel thick saddle

Units (mm)



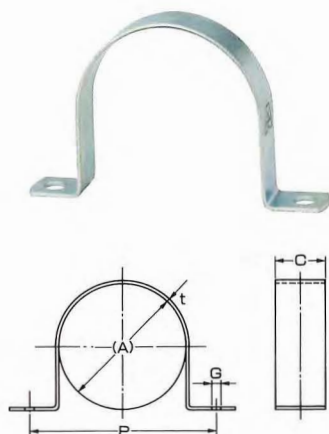
Size code	Diameter size (A)	Nominal diameter (B)	Applicable pipe outer diameter	t	C	G	P
0014	15A	1/2	21.7	2.0	25	φ 5	50
0029	20A	3/4	27.2	2.0	25	φ 5	57
0033	25A	1	34.0	2.0	25	φ 5	63
0048	32A	1 1/4	42.7	2.0	25	φ 5	72
0052	40A	1 1/2	48.6	2.0	25	φ 5	77
0067	50A	2	60.5	2.0	25	φ 5	90
0071	65A	2 1/2	76.3	2.0	25	φ 5	113
0086	80A	3	89.1	2.0	25	φ 5	125
0103	100A	4	114.3	2.0	25	φ 5	150
0118	125A	5	139.8	3.0	32	φ 11	185
0122	150A	6	165.2	3.0	32	φ 11	205
0137	200A	8	216.3	3.0	32	φ 11	255

A10432 Thick saddle with bolt holes

Saddle band for SGP pipe

Part number A10432 Thick saddle with bolt holes

Units (mm)



Size code	Diameter size (A)	Nominal diameter (B)	Applicable pipe outer diameter	t	C	G	P
0014	15A	1/2	21.7	2.3	24	φ 11	50
0029	20A	3/4	27.2	2.3	24	φ 11	57
0033	25A	1	34.0	2.3	24	φ 11	63
0048	32A	1 1/4	42.7	2.3	24	φ 11	72
0052	40A	1 1/2	48.6	2.3	24	φ 11	77
0067	50A	2	60.5	2.3	24	φ 11	90
0071	65A	2 1/2	76.3	2.3	24	φ 11	113
0086	80A	3	89.1	2.3	24	φ 11	125
0103	100A	4	114.3	2.3	24	φ 11	150

A10454 Stainless steel thick saddle with bolt holes

Stainless steel saddle band for steel pipe

Part number A10454

Stainless steel thick saddle with bolt holes

Units (mm)



Size code	Diameter size (A)	Nominal diameter (B)	Applicable pipe outer diameter	t	C	G	P
0011	15A	1/2	21.7	2.0	25	φ 11	50
0026	20A	3/4	27.2	2.0	25	φ 11	57
0045	25A	1	34.0	2.0	25	φ 11	63
0050	32A	1 1/4	42.7	2.0	25	φ 11	72
0064	40A	1 1/2	48.6	2.0	25	φ 11	77
0079	50A	2	60.5	2.0	25	φ 11	90
0083	65A	2 1/2	76.3	2.0	25	φ 11	113
0098	80A	3	89.1	2.0	25	φ 11	125
0115	100A	4	114.3	2.0	25	φ 11	150