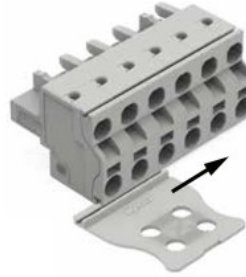


Strain Relief Plate; for Male and Female Connectors with Push-in CAGE CLAMP® Connection; 2721, 2231 Series and 2-Conductor Female Connectors 231, 721 Series; Color: light gray MCS MIDI

for inserting



factory-assembled



5 mm pin spacing

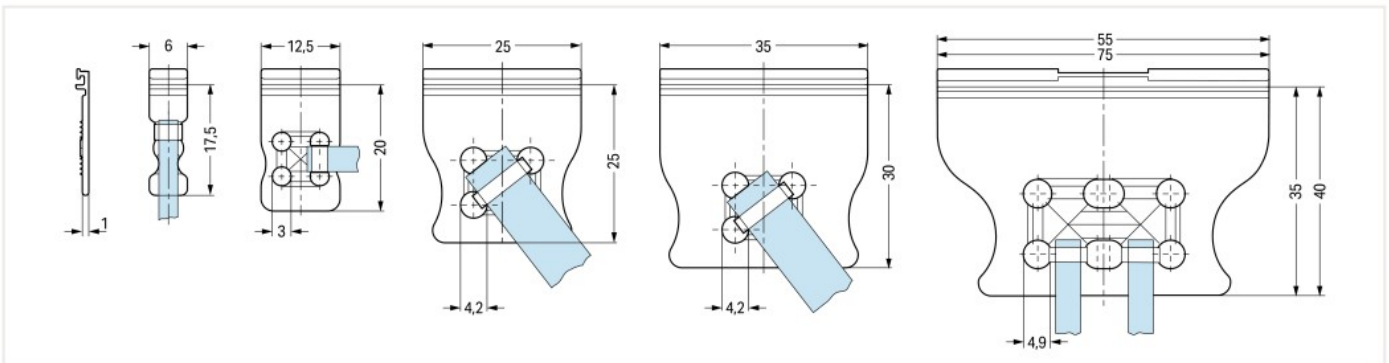
Pole No.	Width	Item No.	PU (SPU)
2	6 mm	734-127	100 (25)
3 ... 4	12,5 mm	734-128	100 (25)
5 ... 7	25 mm	734-129	100 (25)
8 ... 11	35 mm	734-126	100 (25)
12 ... 16	55 mm	734-426	50 (25)
17 ... 20	75 mm	734-427	50 (25)

7.5 mm pin spacing

Pole No.	Width	Item No.	PU (SPU)
2	6 mm	734-127	100 (25)
2 ... 3	12,5 mm	734-128	100 (25)
4 ... 6	25 mm	734-129	100 (25)
7 ... 9	35 mm	734-126	100 (25)
10 ... 12	55 mm	734-426	50 (25)
13 ... 16	75 mm	734-427	50 (25)

5 mm; 7.5 mm pin spacing

Pole No.	Width	Item No. Suffix *
2	6 mm	.../132-000
2 ... 3	12,5 mm	.../133-000
4 ... 6	25 mm	.../134-000
7 ... 9	35 mm	.../135-000
10 ... 12	55 mm	.../136-000
13 ... 16	75 mm	.../137-000



Female connectors with Push-in CAGE CLAMP® can be retrofitted with a strain relief plate or pre-assembled with one at the factory. These strain relief plates are available in six different widths and are allocated to the specific pin spacing and pole number (as shown left). The arrangement of the attachments for cable ties allows single conductors or multi-core cables to be secured in different ways.

*An "item no. suffix," referring to the width of the strain relief plate, is added to the "basic item no.," and determines the type of male or female connector.

Cable ties and binding tools are not offered by WAGO.

The width of the cable ties must correspond to the hole dimensions of the strain relief plates shown above.