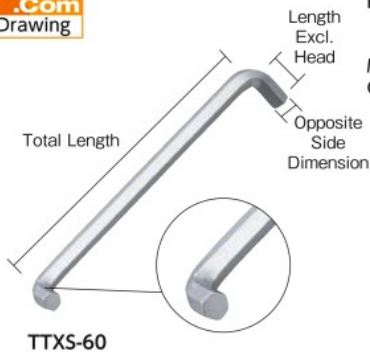


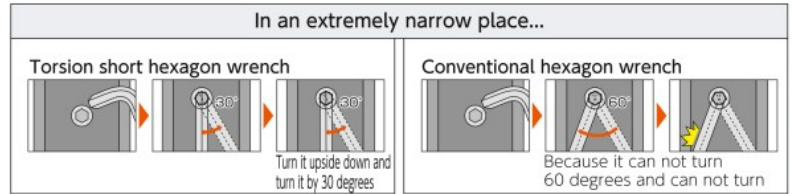
Prices displayed include 8% tax.

TRUSCO **Stock 38,650 Items**

"Torsion Multi-function Short Wrench" (both end bending type)



- Features**
- Both edges are opposite side/diagonal bending and can be used with a swing angle of 30°.
 - Convenient for work in a narrow place where you can not secure enough space to turn the hexagonal bar.
 - The hardness is HRC53 to 57.
- Materials**
- Chrome Vanadium Steel
- Origin**
- Japan



TTXS-60

TTXS-95 (set)



When Deployed

Order Unit: 1 Piece

Order Code	Item No.	Price (per piece)	MSRP (per piece)	Opposite Side Dimension (mm)	Length Excl. Head (mm)	Total Length (mm)	SPQ (piece)	Weight (g)
304-2693	TTXS-15	¥ 490	¥ 530	1.5	4.5	50	10	0.8
304-2707	TTXS-20	¥ 490	¥ 530	2.0	4.5	56	10	1.7
304-2715	TTXS-25	¥ 509	¥ 550	2.5	5.5	63	10	3.0
304-2723	TTXS-30	¥ 537	¥ 580	3.0	7.0	71	10	5.0
304-2731	TTXS-40	¥ 620	¥ 670	4.0	8.0	80	10	10.0
304-2740	TTXS-50	¥ 731	¥ 790	5.0	9.0	90	10	18.0
304-2758	TTXS-60	¥ 889	¥ 960	6.0	12.0	100	10	30.0
304-2766	TTXS-80	¥ 1,148	¥ 1,240	8.0	15.0	112	10	62.0
304-2774	TTXS-100	¥ 1,666	¥ 1,800	10.0	17.5	125	10	105.0

Set Accessories • Holder

Order Unit: 1 Set

Order Code	Item No.	Price (per set)	MSRP (per set)	Set Contents (mm)	Set Contents (piece)	SPQ (set)	Weight (g/set)
301-9004	TTXS-95	¥ 7,082	¥ 7,650	1.5, 2, 2.5, 3, 4, 5, 6, 8, 10	9	5	265

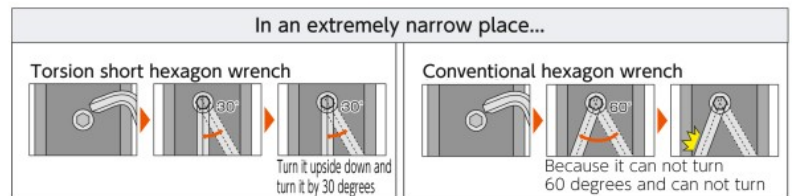
Contact us: 0120-509-849 <http://www.orange-book.com/>

TRUSCO **Stock 38,650 Items**

"Torsion Hexagonal Wrench" (both ends bending type)



- Features**
- Since the head is shortened, the wrench can be plugged in and pulled out easily even in places with less space at the top of the bolt.
 - Ideal for use in narrow places with narrow width because it is made with both wings wrapped in opposite mouths and left and right bent and diagonal bending. (30° is available)
 - The hardness is HRC53 to 57.
- Materials**
- Chrome Vanadium Steel
- Origin**
- Japan



TTX-95 (set)



When Deployed

Order Unit: 1 Piece

Order Code	Item No.	Price (per piece)	MSRP (per piece)	Opposite Side Dimension (mm)	Length Excl. Head (mm)	Total Length (mm)	SPQ (piece)	Weight (g)
250-4821	TTX-15	¥ 583	¥ 630	1.5	4.5	90	10	1.5
250-4839	TTX-20	¥ 583	¥ 630	2.0	4.5	100	10	2.5
250-4847	TTX-25	¥ 593	¥ 640	2.5	5.5	112	10	5.0
250-4855	TTX-30	¥ 611	¥ 660	3.0	7.0	126	10	8.0
250-4863	TTX-40	¥ 694	¥ 750	4.0	8.0	142	10	17.0
250-4871	TTX-50	¥ 824	¥ 890	5.0	9.0	160	10	30.0
250-4880	TTX-60	¥ 982	¥ 1,060	6.0	12.0	180	10	57.0
250-4898	TTX-80	¥ 1,324	¥ 1,430	8.0	15.0	200	10	100.0
250-4901	TTX-100	¥ 1,990	¥ 2,150	10.0	17.5	224	10	183.0

Set Accessories • Holder

Order Unit: 1 Set

Order Code	Item No.	Price (per set)	MSRP (per set)	Set Contents (mm)	Set Contents (piece)	SPQ (set)	Weight (g/set)
250-4812	TTX-95	¥ 7,276	¥ 7,860	1.5, 2, 2.5, 3, 4, 5, 6, 8, 10	9	5	400

Contact us: 0120-509-849 <http://www.orange-book.com/>