



Welding Gauge

Measurement Range (mm)	Surface Overlay Height	Size of Fillet (Leg length)	Bulge of Throat Thickness	Undercut depth	Bevel angle	Thickness Length	Gap Space	Round Rod Diameter	Root face	
Type Unit										
Micrometers	TWGU-8M	0 to 25	0 to 25	0 to 15	0 to 25	0 to 70°	0 to 60	2 to 5	0 to 30	0 to 60
Micrometer Stands	TWGU-7M	0 to 25	0 to 25	0 to 15	0 to 25	0 to 60°	0 to 60	2 to 5	×	0 to 60
Hole Tests	TWGU-2S	×	×	×	0 to 2	×	×	×	×	×
Micrometer Heads	TWG-1	0 to 10	0 to 20	0 to 10	×	0 to 60°	0 to 40	0.5 to 3	0 to 10	0 to 40
Calipers	TWG-2	0 to 10	0 to 10	0 to 10	0 to 10	0 to 60°	0 to 40	0.5 to 5	0 to 20	0 to 40
	TAWG-10	0 to 8	×	0 to 11	×	Fixed at 60/70/80/90°	×	×	×	×

Micrometers

Micrometer Stands

Hole Tests

Micrometer Heads

Calipers

Height Gauges

Depth Gauges

Dial Indicators

Thickness Gauges

Bore Gauges

Gauges

Squares, Levelers

Linear Scales

Squares

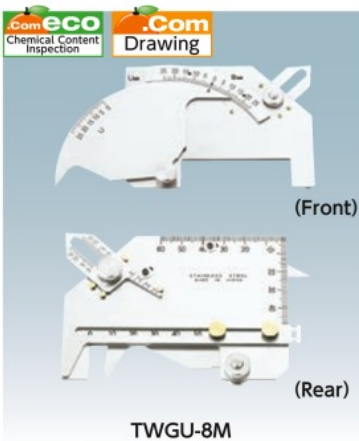
Scales

Protractors

Scribers

Surface Plates

TRUSCO Stock 38,650 Items **Welding Gauge** Calibration OK Approx. 2 Weeks



Features

- Since it is made of stainless steel, it is hard to rust and is solid.
- With its compact size, easy to carry hanging case included.
- Undercut measurement is possible.
- Has a bulge measuring instrument after pressure welding.
- Secures a bead span width of 53mm by measuring a difference in abutt welding that complies to the new standards set announced by the ministry of land, infrastructure, transport and tourism.

Use

- For measuring of welding overlay, the size and angle of fillets etc.
- For measurement of swelling of insulation displacement welding.

Materials Origin

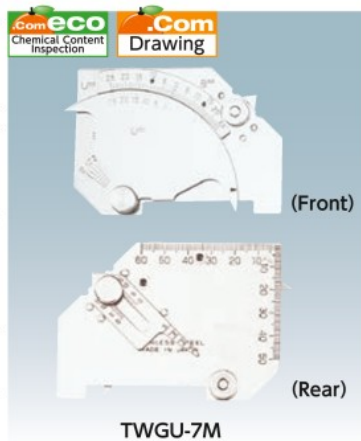
- Stainless Steel
- Japan

Order Unit: 1 Piece TRUSCO NAKAYAMA CORPORATION

Order Code	Item No.	Price (per piece)	MSRP (per piece)	Length Measurement Accuracy (mm)	Angle Measurement Accuracy (°)	SPQ (piece)	Weight (g)
245-9493	TWGU-8M	¥13,886	¥15,000	±0.6	±2	10	190

Contact us: 0120-509-849 <http://www.orange-book.com/>

TRUSCO Stock 38,650 Items **Welding Gauge** Calibration OK Approx. 2 Weeks



Features

- Since it is made of stainless steel, it is hard to rust and is solid.
- With its compact size, easy to carry hanging case included.
- Undercut measurement is possible.
- Easy to read because the rotor scale is on the same plane.

Use

- For measuring of welding overlay, the size and angle of fillets etc.

Materials Origin

- Stainless Steel
- Japan

Order Unit: 1 Piece TRUSCO NAKAYAMA CORPORATION

Order Code	Item No.	Price (per piece)	MSRP (per piece)	Length Measurement Accuracy (mm)	Angle Measurement Accuracy (°)	SPQ (piece)	Weight (g)
229-7353	TWGU-7M	¥6,480	¥7,000	±0.6	±2	10	150

Contact us: 0120-509-849 <http://www.orange-book.com/>

TRUSCO Stock 38,650 Items **Welding Gauge** Calibration OK Approx. 2 Weeks



Features

- **Undercut dedicated gauge high precision type.**
- Since it is made of stainless steel, it is hard to rust and is solid.
- With its compact size, easy to carry hanging case included.

Use

- For measuring of welding overlay, the size and angle of fillets etc.

Specs

- Maximum measurement value: 2mm
- Minimum reading value: 0.2mm

Materials Origin

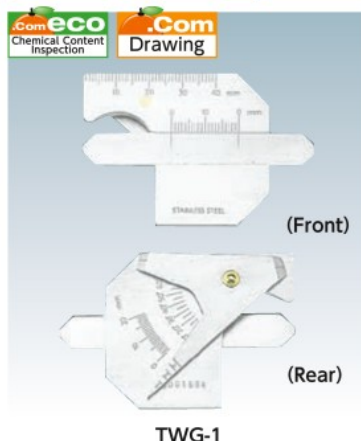
- Stainless Steel
- Japan

Order Unit: 1 Piece TRUSCO NAKAYAMA CORPORATION

Order Code	Item No.	Price (per piece)	MSRP (per piece)	Instrument Error (mm)	SPQ (piece)	Weight (g)
229-7361	TWGU-2S	¥7,406	¥8,000	±0.1	10	100

Contact us: 0120-509-849 <http://www.orange-book.com/>

TRUSCO Stock 38,650 Items **Welding Gauge** Calibration OK Approx. 2 Weeks



Features

- Since it is made of stainless steel, it is hard to rust and is solid.
- With its compact size, easy to carry hanging case included.

Use

- For measuring of welding overlay, the size and angle of fillets etc.

Specs

- Fillet and surplus measuring instrument difference: ±0.4mm
- Crevice measuring equipment instrumental error: ±0.4mm

Materials Origin

- Stainless Steel
- Japan

Order Unit: 1 Piece TRUSCO NAKAYAMA CORPORATION

Order Code	Item No.	Price (per piece)	MSRP (per piece)	Angle Measurement Accuracy (°)	SPQ (piece)	Weight (g)
229-7329	TWG-1	¥6,054	¥6,540	±0.7	20	79

Contact us: 0120-509-849 <http://www.orange-book.com/>