

**BMP-Z SERIES**

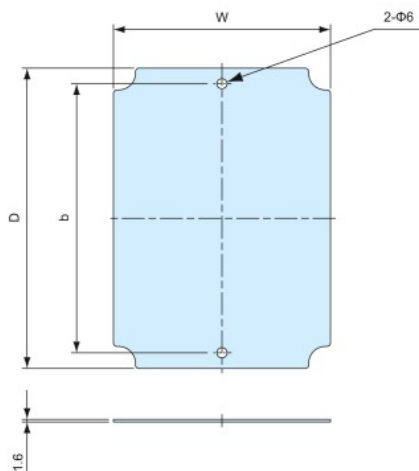
**STEEL MOUNTING PLATE**



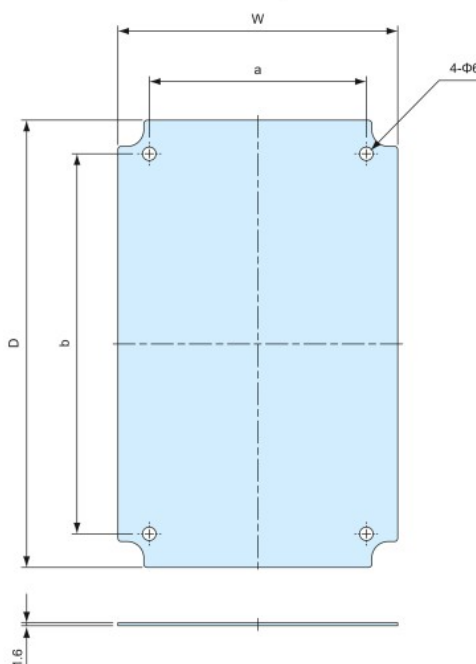
■ Strong but easily customizable.

■ Drawings below are reference examples only.  
DXF/DWG/PDF drawings available on our website.

BMP0506Z ~ 1525Z



BMP2020Z, 2123Z



**Components**

Part name	Material	Color / Finish
Mounting plate	Steel t=1.6	Zinc coated

**Product no. / Dimensions**

Product no.	W	D	a	b	Suitable box	Weight (g)
BMP0506Z	41	56	-	40	BCAS050604, 050605	23
BMP0609Z	52	82	-	65	BCAS060905	41
BMP0710Z	62	92	-	75	BCAS071005	63
BMP0808Z	67	67	-	50	BCAS080806	47
BMP0811Z	68	98	-	80	BCAS081104, 081107, 081108, 081110	72
BMP0813Z	68	118	-	99	BCAS081307, 081308	87
BMP0818Z	69	169	-	150	BCAS081807, 081808	134
BMP0825Z	69	239	-	220	BCAS082507, 082508	193
BMP1010Z	86	86	-	60	BCAS101007, 101010	80
BMP1018Z	89	173	-	139	BCAS101807	177
BMP1121Z	77	177	-	158	BCAS102007	159
BMP1023Z	88	218	-	184	BCAS102307	226
BMP1212Z	114	114	-	70	BCAS121207, 121210	151
BMP1417Z	132	162	-	130	BCAS141709	251
BMP1423Z	123	213	-	190	BCAS142309	305
BMP1515Z	121	121	-	110	BCAS151507, 151510	172
BMP1616Z	142	142	-	120	BCAS161607	237
BMP1520Z	126	176	-	160	BCAS152004, 152007, 152010, 152013, 152016	262
BMP1525Z	127	227	-	210	BCAS152510, 152513	346
BMP2020Z	176	176	120	150	BCAS202010, 202013, 202016, 202019	371
BMP2123Z	183	203	160	180	BCAS212310	447