

CR2·CR123A-PC series

LITHIUM BATTERY HOLDER

DXF/DWG/PDF drawings available on our website.



Technical Data
Operating temperature: -10°C ~ +60°C

Components

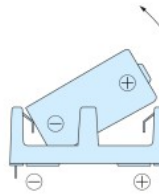
Holder material	Holder color	Contact material	Contact finish
ABS UL94V-0	Black	Phosphor bronze	Nickel plated

Product no. / Feature

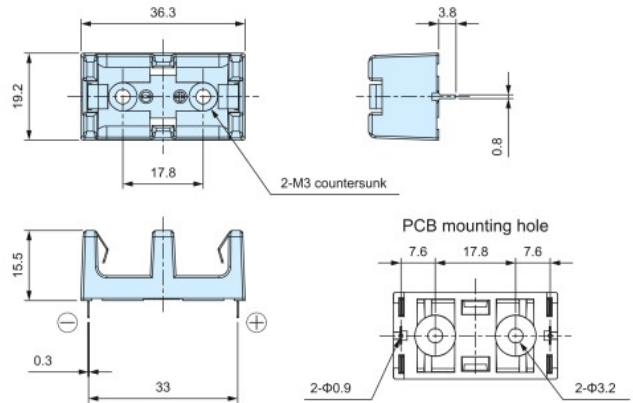
Product no.	Battery	Mounting	Weight (g)
CR2-PC	CR2×1	Through-hole mount pin x 2	4.3
CR123A-PC	CR123A×1	Through-hole mount pin x 2	5.0

Caution

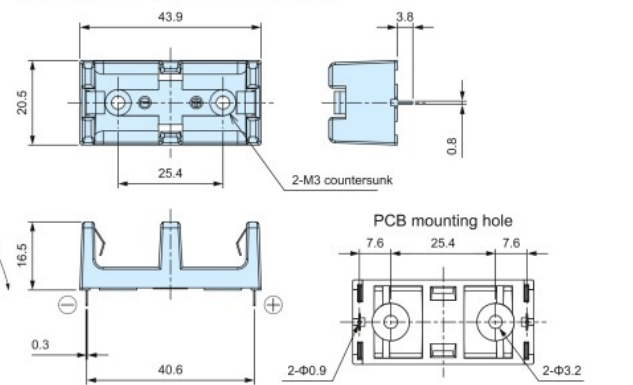
- Please remove the battery from the positive (+) side. Removing it from the negative (-) side may damage the battery or the battery contacts.



CR2-PC dimensions



CR123A-PC dimensions



CR2·CR123A-R series

LITHIUM BATTERY HOLDER with LEAD WIRE

DXF/DWG/PDF drawings available on our website.



Technical Data
Operating temperature: -10°C ~ +60°C

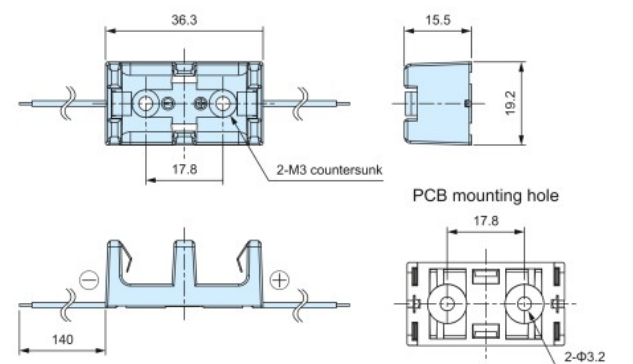
Components

Holder material	Holder color	Contact material	Contact finish
ABS UL94V-0	Black	Phosphor bronze	Nickel plated

Product no. / Feature

Product no.	Battery	Lead wire	Weight (g)
CR2-R	CR2×1	UL1007 AWG26 L=140	5.3
CR123A-R	CR123A×1	UL1007 AWG26 L=140	6.0

CR2-R dimensions



CR123A-R dimensions

