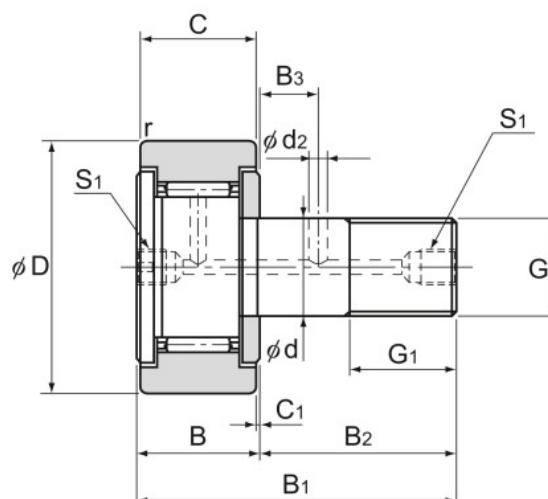


# Cam Follower with Tapped Lubrication Hole Model CFT

Optional specifications		Symbol
Roller guide	With cage	No Symbol
	Full rollers	V
Material	Carbon steel	No Symbol
	Stainless steel	M
Seal	Without seal	No Symbol
	With seal	UU
Outer ring shape	Cylindrical outer ring	No Symbol
	Spherical outer ring	R



Stud diameter d	Model No.	Main dimensions												Shoulder height f (Min.)
		Outer diameter D	Outer ring width C	Threaded G	G <sub>1</sub>	B	Overall length B <sub>1</sub>	B <sub>2</sub>	B <sub>3</sub>	C <sub>1</sub>	S <sub>1</sub>	d <sub>2</sub>	r <sub>smin</sub>	
6	CFT 6	16	11	M6×1	8	12	28	16	—	0.6	M6×0.75*	—	0.3	11
8	CFT 8	19	11	M8×1.25	10	12	32	20	—	0.6	M6×0.75*	—	0.3	13
10	CFT 10	22	12	M10×1.25	12	13	36	23	—	0.6	M6×0.75*	—	0.3	15
10	CFT 10-1	26	12	M10×1.25	12	13	36	23	—	0.6	M6×0.75*	—	0.3	15
12	CFT 12	30	14	M12×1.5	13	15	40	25	6	0.6	M6×0.75	3	0.6	20
12	CFT 12-1	32	14	M12×1.5	13	15	40	25	6	0.6	M6×0.75	3	0.6	20
16	CFT 16	35	18	M16×1.5	17	19.5	52	32.5	8	0.8	Rc1/8 (PT1/8)	3	0.6	24
18	CFT 18	40	20	M18×1.5	19	21.5	58	36.5	8	0.8		3	1	26
20	CFT 20	52	24	M20×1.5	21	25.5	66	40.5	9	0.8		4	1	36
20	CFT 20-1	47	24	M20×1.5	21	25.5	66	40.5	9	0.8		4	1	36
24	CFT 24	62	29	M24×1.5	25	30.5	80	49.5	11	0.8		4	1	40
24	CFT 24-1	72	29	M24×1.5	25	30.5	80	49.5	11	0.8		4	1	40
30	CFT 30	80	35	M30×1.5	32	37	100	63	15	1		4	1	46
30	CFT 30-1	85	35	M30×1.5	32	37	100	63	15	1		4	1	46
30	CFT 30-2	90	35	M30×1.5	32	37	100	63	15	1		4	1	46

Note) For information on accuracy standards, please refer to **A19-14**.  
Those models marked with "\*" have a lubrication hole only on the head.

## Model number coding

**CFT30-1 V M UU R -N**

Model No.

No symbol: With cage

V : Full-roller Type

No symbol: Carbon steel

M : Stainless steel

No symbol: Without seal

UU : With seal

No Symbol : No grease nipple

N : Dedicated grease nipple included (See **A19-39**)

No Symbol: Cylindrical outer ring

R : Spherical outer ring

Note: For accessories, please refer to **A19-38**.