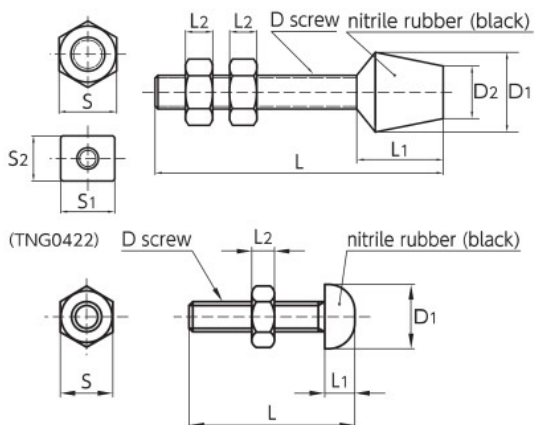


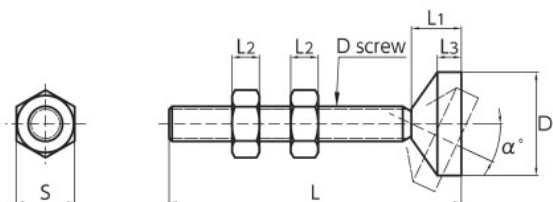
■ Bolt & nut (w/rubber head)



TNG0422

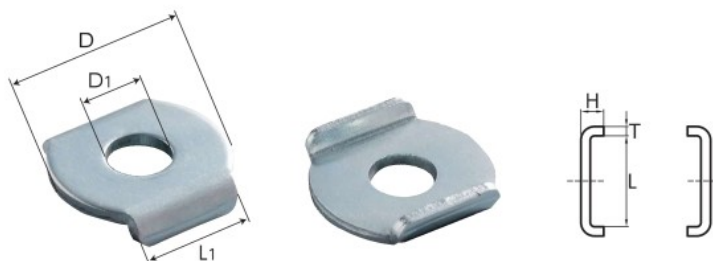


■ Bolt & nut (w/swivel head)



Item No.	D screw	Size(mm)						α°
		L	L1	L2	L3	D1	S	
TNS0650	M6×P1	50	10	5	4	12	10	7
TNS0865	M8×P1.25	65	13	6.5	5.5	20	13	
TNS1085	M10×P1.5	85	15	8		17	17	
TNS12100	M12×P1.75	100	20	9.6	11	25	19	

■ Washer (a pair)



Item No.	Size(mm)					
	L	L1	H	D	D1	T
TFW041	8.3	8	3.2	12	4.3	1
TFW042	9.4	8.4	2.6	12.6	4.2	
TFW061	11.5	7	3.9	14.2	6.3	
TFW062	14.3	12.8	3.2	19	6.5	1.5
TFW063	12.6	10.8	3.4	16.6	6.8	
TFW081	15.7	15.7	4.5	21.6	8.2	2
TFW082	17.5	15	4.7	22.6		
TFW083	19.1	16.5	5	25.1		

Item No.	Size(mm)					
	L	L1	H	D	D1	T
TFW101	21.4	18.5	4.4	27	10.5	2
TFW102	19.1	16.5	5	25.1	10.2	
TFW103	22.2	22.9	8	31	12.4	3
TFW121	22.2	22.9	8	31	12.4	
STFW041	8.3	8	3.2	12	4.3	1
STFW062	14.3	12.8		19	6.5	1.5
STFW082	17.5	15	4.7	22.6	8.2	2
STFW083	19.1	16.5	5	25.1		

* The material of STFW041, STFW062, STFW082, STFW083 is SUS303.

TNG • TNG-H • STNG • TNS • TFW • STFW

TOGGLE CLAMP Parts

Item No.	D screw	Size(mm)							
		L	L1	L2	D1	D2	S	S1	S2
TNG0422	M4×P0.7	22	4		8.5	—	7	—	—
TNG0425		25		3					8.1
TNG0442		42	11.5		13.5	10.5		9.5	8.2
TNG0442H									
TNG0644	M6×P1	44	14	5	15	10	10		
TNG0651		51							
TNG0863	M8×P1.25	63	19	6.5	18.5	13	13		
TNG0875		75							
TNG1085	M10×P1.5	85	24.5	8	23	15	17		
STNG0425	M4×P0.7	25	11.5	3	13.5	10.5	7	9.5	8.2
STNG0442		42							
STNG0651	M6×P1	51	14	5	15	10	10		
STNG0875	M8×P1.25	75	19	6.5	18.5	13	13		

- * There is only one nut for TNG0422.
- * One of the two nuts of respectively TNG0425, TNG0442, STNG0425, STNG0442 is a square nut.
- * The material of STNG0425, STNG0442, STNG0651, STNG0875 is SUS303.