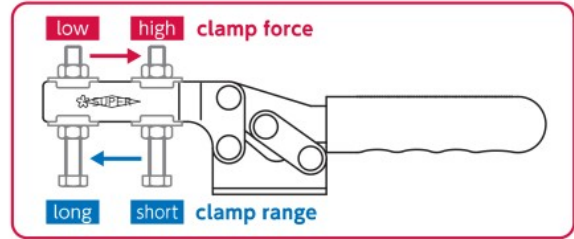
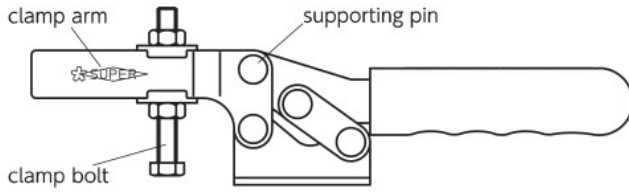


■ Toggle clamp lineup outline:

At Super Tool we assorted a toggle clamp line up featuring hold-down type (horizontal handle vertical handle types), push type, push/pull type and latch type. These items are best suited for inspection jigs, welding jigs, assembly jigs or processing jigs. Stainless steel assembly pins are equipping almost all the models, so they can be used for a long time.

■ Max. holding capacity (clamping force) and max. clamp range:

For the hold-down type clamps, the maximum force is measured with the spindle position nearest to the handle. Therefore, the clamp force gets lower as the spindle comes nearer to the tip of the clamp arm.



■ TOGGLE CLAMP
(Horizontal Handle Type)

TD01F



Item No.	Base type	N.W.(g)
TD01F	Flange	38

- Max. holding capacity : 0.2kN
- Clamp arm moving angle : 75°
- Handle operation angle : 75°
- Supporting pin : stainless steel

TD03F • TD03S



Item No.	Base type	N.W.(g)
TD03F	Flange	105
TD03S	Straight	105

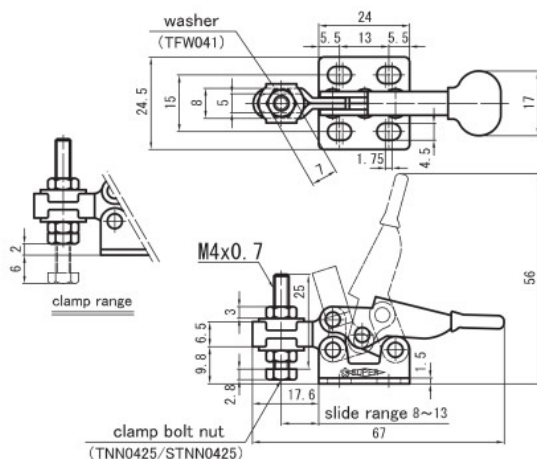
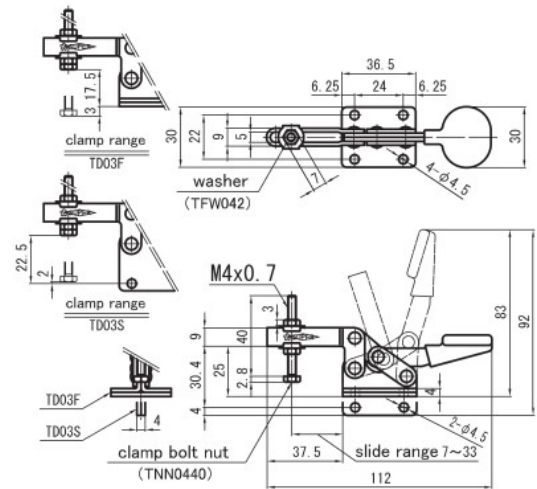
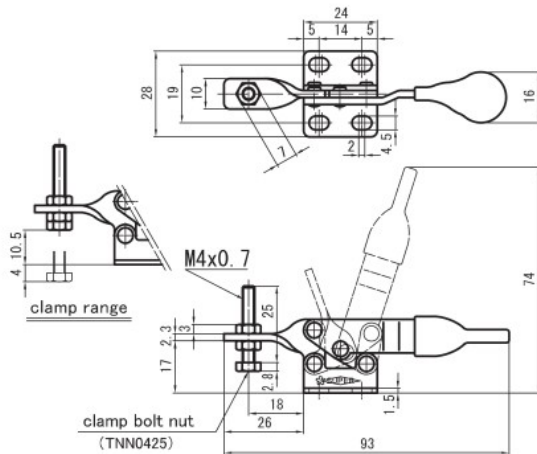
- Max. holding capacity : 0.3kN
- Clamp arm moving angle : 65°
- Handle operation angle : 55°
- Supporting pin : stainless steel

TD04F • STD04F



Item No.	Base type	N.W.(g)
TD04F	Flange	33
STD04F	Flange/stainless steel	33

- Max. holding capacity : 0.2kN
- Clamp arm moving angle : 55°
- Handle operation angle : 65°
- Supporting pin : stainless steel



- Tool sets / cases
- Socket wrenches
- Ratchet wrenches
- Offset wrenches, grips
- Gear wrenches, open-end spanners
- Spanners
- Safety ropes
- Combination hammer
- Sockets
- Hex key wrenches
- Adjustable angle wrenches
- Pliers
- Hook spanners, pin spanners
- Toggle clamps**
- C clamps
- L clamps
- Super setters
- Grip pliers
- Welding tools
- Iron man