

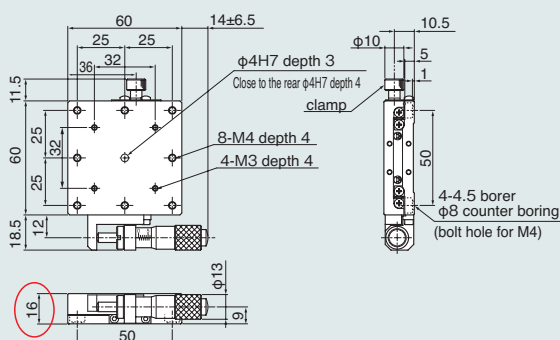
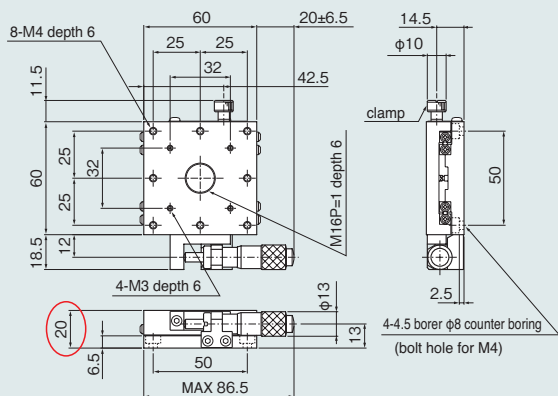
Comparing the specifications of an SS stage and a crossed roller stage



Crossed roller guide
B11-60C

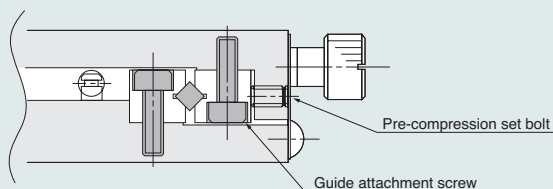


Linear ball guide
BSS16-60C

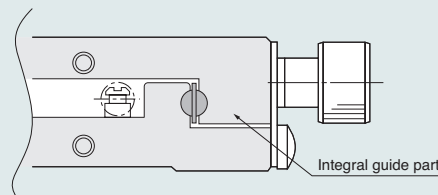


Smart body

By integrating each plate of the upper and lower face and the guide part, an ultra thin stage thickness of 16mm is realized. It is thinner than the existing B11-60C by 4mm. An S440C is adopted as the main unit.



Crossed roller guide method



Linear ball guide method

SPEC

Model number	B11-60C	BSS16-60C
Size of stage face	60x60mm	60x60mm
Thickness of stage	20mm	16mm
Travel distance		±6.5mm
Travel guide	Crossed roller guide	Linear ball guide
Load capacity	5.0kgf [49.0N]	20.0kgf [196N]
Motion accuracy	Straightness	3μm
	Pitching	25"
	Yawing	15"
Tolerant moment load	Pitching	5.2N·m
	Yawing	4.3N·m
	Rolling	5.5N·m
Moment rigidity	Pitching	0.12"/N·cm
	Yawing	0.11"/N·cm
	Rolling	0.07"/N·cm
Degree of parallelization	30μm	15μm
Driving parallelism	10μm	7μm
Weight	0.25kg	0.4kg
Material-Surface finishing	Aluminum-black alumite processing	SUS440C-electroless nickel plating

Slim configuration

High strength

Increased accuracy

High rigidity

Increased accuracy

New products

Motorized linear stage

Motorized rotary stage

Motorized stages unit

Controllers and Cables

Manual stage

Reference