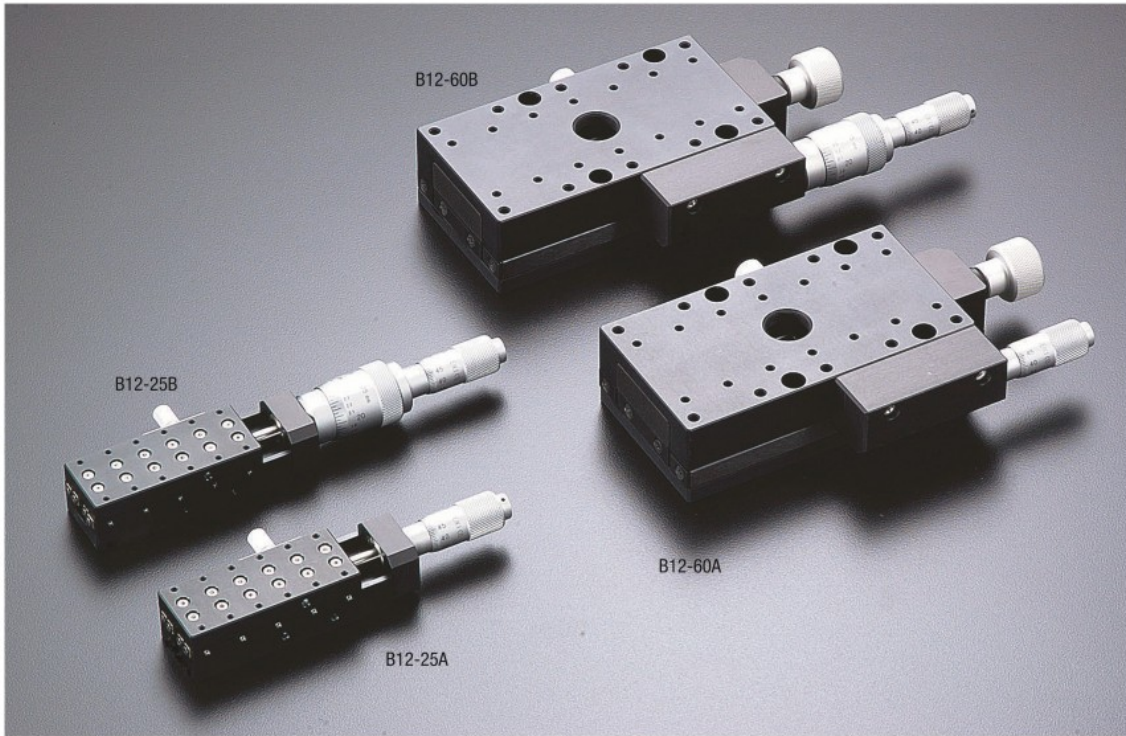


X-axis Long Stroke Cross Roller Guide Stage: B12-25 (25×60) /60 (60×110)

RoHS



Manual linear stage

X

XY

Z

Horizontal Z

XZ

Horizontal XZ

XYZ

Horizontal XYZ

Goniometer

Rotary

Unit

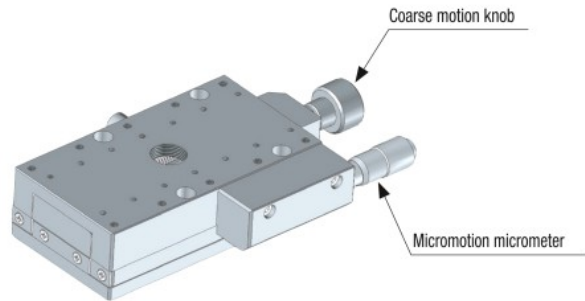
Accessories

Linear Ball

Cross Roller

[Features]

- High accuracy long stroke stage of cross roller guide.
 - Longer stroke than stages with the table size □25mm or 60mm.
 - Selectable coarse-fine micrometer.
- B12-60 series
Movable 40mm stroke using coarse motion knob. (3mm per rotation)
Adjustable range of 6.5mm by using a micromotion micrometer.



SPEC				
Model	B12-25A	B12-25B	B12-60A	B12-60B
(Opposite hand)	B12-25AR	B12-25BR	—	—
Stage table size	25×60mm		60×110mm	
Travel distance	±6.5mm	Coarse motion ±6.5mm Micromotion ±0.1mm	Coarse motion ±20mm	Micromotion ±6.5mm
Minimum reading of micrometer	10µm/Scale	Micromotion 0.5µm/Scale	10µm/Scale	Micromotion 0.5µm/Scale
Guide	Cross roller guide			
Load capacity	2.0kgf [19.6N]		8.0kgf [78.4N]	
Travel accuracy	Straightness		3µm	
	Pitching		25"	
	Yawing		15"	
Allowable load for moment	Pitch		3.8N · m	
	Yaw		3.2N · m	
	Roll		1.5N · m	
	Pitch		8.1N · m	
Moment rigidity	Yaw		7.0N · m	
	Roll		5.3N · m	
	Pitch		0.19"/N · cm	
Parallelism	Yaw		0.02"/N · cm	
	Roll		0.03"/N · cm	
	Pitch		0.07"/N · cm	
Motion parallelism	30µm			
Weight	0.1kg	0.2kg	0.8kg	
Main material—Surface finishing	Aluminum—Black alumite processing			
Provided screws (Hex socket screws)	2 of M4—6		Hex recessed round head screw 10 of M4—6	

□25

□30

□40

□50

□60

□70

□80

□100

□120

Other