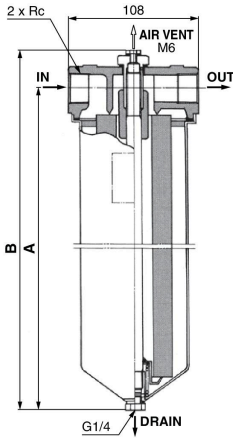


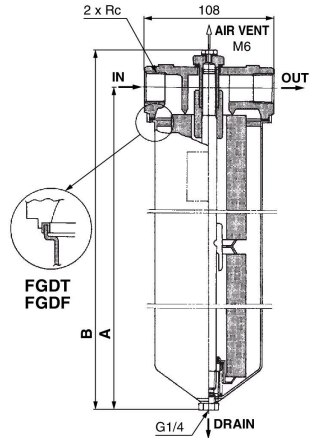
# FGD Series

## Dimensions

### FGD□A (1 element)



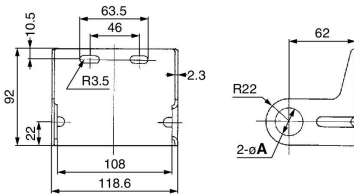
### FGD□B (2 elements)



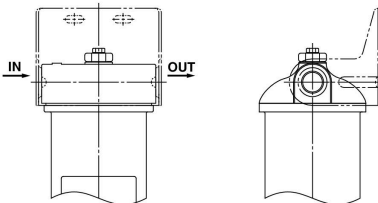
\* Element removal dimension: 50 mm

Model	Element length	A	B	Port size Rc
FGDC	A (L250)	314	346	3/8, 1/2, 3/4
FGDE	B (L500)	574	606	
FGDT	A (L250)	314	349	
FGDF	B (L500)	574	608	

## Accessory/Bracket



Part no.	øA	Port size Rc	Material	Surface treatment
BP-1S	17.5	3/8	SPCC	Zinc chromated
BP-2S	22	1/2		
BP-3S	27.5	3/4		



Mounting position

Note) Secure the filter with steel piping.  
Use this bracket for piping support.  
(Flexible piping cannot be used to secure the filter.)