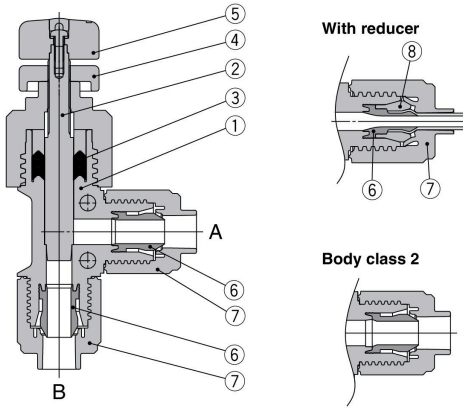


# LVN Series

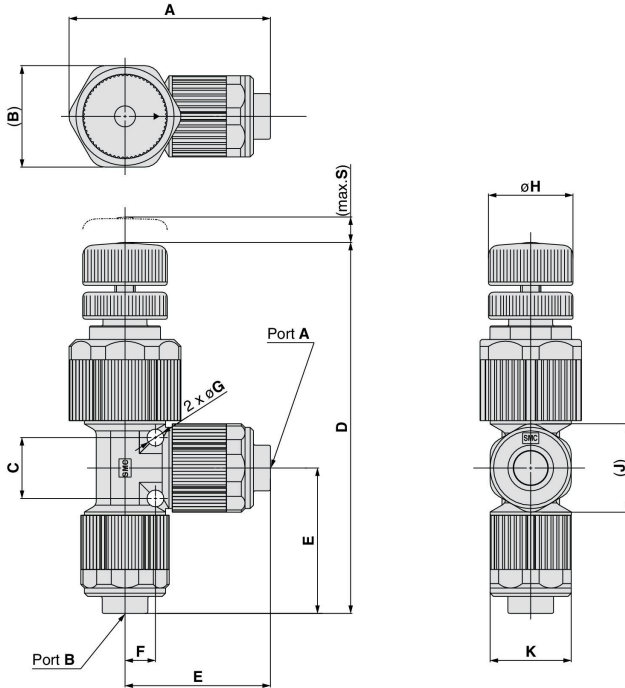
## Construction



### Part lists

| No. | Description       | Material |
|-----|-------------------|----------|
| 1   | Body              | PFA      |
| 2   | Needle            | PCTFE    |
| 3   | V seal            | PTFE     |
| 4   | Lock nut          | PVDF     |
| 5   | Adjustment handle | PVDF     |
| 6   | Insert bushing    | PFA      |
| 7   | Nut               | PFA      |
| 8   | Collar            | PFA      |

## Dimensions



| Model | A  | B  | C  | D   | E    | F  | G | H  | J  | K  | S   |
|-------|----|----|----|-----|------|----|---|----|----|----|-----|
| LVN20 | 48 | 24 | 12 | 88  | 34.5 | 6  | 4 | 14 | 20 | 18 | 2.4 |
| LVN30 | 60 | 30 | 18 | 110 | 43   | 9  | 5 | 25 | 26 | 24 | 7.5 |
| LVN40 | 72 | 36 | 22 | 124 | 52   | 11 | 6 | 25 | 33 | 30 | 8   |