

3-Screen Display

High-Precision Digital Pressure Switch

ZSE20(F)/ISE20 Series



How to Order

For positive pressure

ISE20 - **N** - **M** - **M5** - [] - [] - []

For vacuum/compound pressure

ZSE20 - **N** - **M** - **M5** - [] - [] - []

Rated pressure range
ISE20 | -0.1 to 1 MPa

Rated pressure range
ZSE20 | 0 to -101 kPa
ZSE20F | -100 to 100 kPa

Output specification




Symbol	Description
N	NPN open collector 1 output
P	PNP open collector 1 output

Unit specification

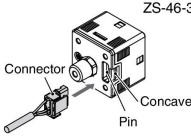
Symbol	Description
Nil	With unit selection function*1
M	SI unit only*2
P	With unit selection function (Initial value psi)*1

*1. Under the New Measurement Law, sales of switches with the unit selection function have not been allowed for use in Japan.
 *2. Fixed unit: kPa, MPa

Piping specification

Symbol	Description
M5	M5 Female thread 
01	R1/8 
N01	NPT1/8 

Option 1

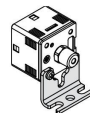
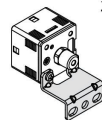
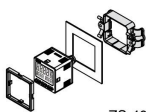
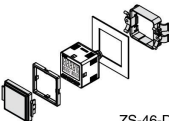
Symbol	Description
Nil	Without lead wire
L	Lead wire with connector (Lead wire length 2 m)  ZS-46-3L

Option 3

Symbol	Operation Manual (No.)	Calibration certificate (No.)
Nil	○	—
Y	—	—
K	○	○
T	—	○

Note) All texts in both English and Japanese

Option 2

Symbol	Description	
Nil	None	
A1	Bracket A (Vertical mounting) 	ZS-46-A1
A2	Bracket B (Horizontal mounting) 	ZS-46-A2
B	Panel mount adapter 	ZS-46-B
D	Panel mount adapter + Front protection cover 	ZS-46-D