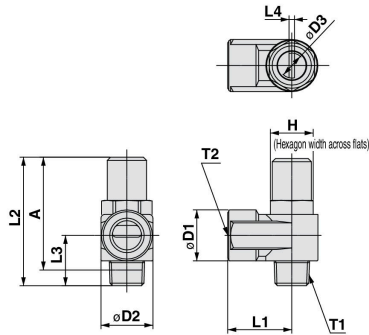


# AS□2□0-T Series

## Dimensions



### Dimensions

Model	T1	T2	H	D1	D2	D3	L1	L2	L3	L4	A*	Weight (g)
AS12□0-M5-T	M5 x 0.8	M5 x 0.8	8	9	9	4.5	10	31	10.3	0.7	27.4	13
AS12□0-U10/32-T	10-32 UNF	10-32 UNF										
AS22□0-01-ST	R 1/8	Rc 1/8	12	14.3	14.6	7	18	34.7	13.2	1.5	31.6	33
AS22□0-F01-ST		G 1/8										
AS22□0-N01-ST	NPT 1/8	NPT 1/8	12.7									
AS22□0-02-ST	R 1/4	Rc 1/4	17	18	19.5	7	27.2	40.2	17.5	1.5	36.7	72
AS22□0-F02-ST		G 1/4										
AS22□0-N02-ST	NPT 1/4	NPT 1/4	17.5									
AS32□0-02-ST	R 1/4	Rc 3/8	19	22.5	24.3	9.5	30	54.8	21.9	1.5	49.3	123
AS32□0-F02-ST		G 3/8										
AS32□0-N02-ST	NPT 1/4	NPT 3/8										
AS32□0-03-ST	R 3/8	Rc 3/8	19	22.5	24.3	9.5	30	52.6	19.7	1.5	47.4	128
AS32□0-F03-ST		G 3/8										
AS32□0-N03-ST	NPT 3/8	NPT 3/8										
AS42□0-04-ST	R 1/2	Rc 1/2	24	27.5	28.5	12	38.5	62.9	25.8	1.5	55.8	222
AS42□0-F04-ST		G 1/2										
AS42□0-N04-ST	NPT 1/2	NPT 1/2	23.8									

\* Reference thread dimensions after installation.