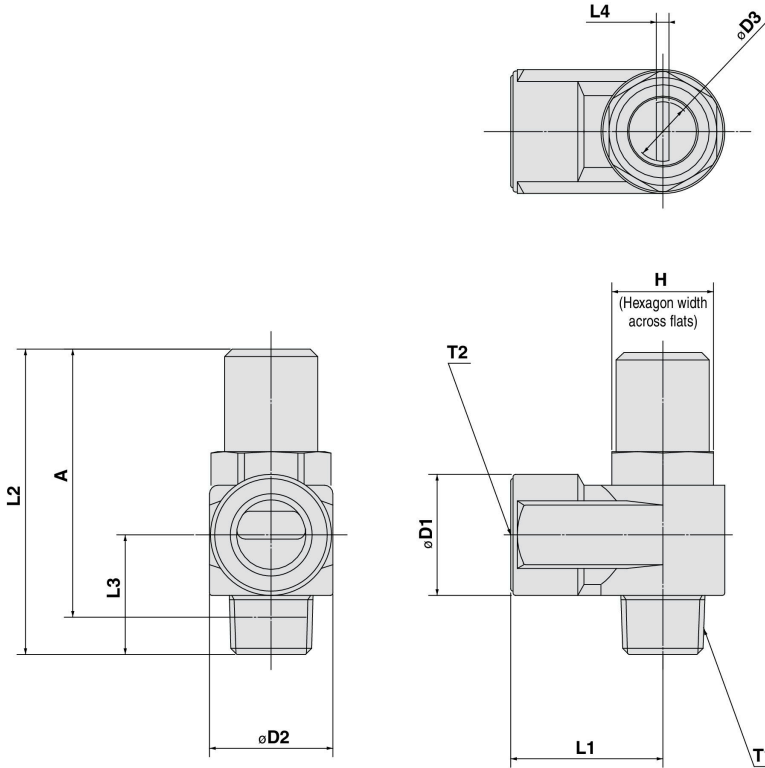


Speed Controller Adjustable by Flat Head Screwdriver:  
Standard Type, Elbow Type (Metal Body) **AS□2□0-D Series**

**Dimensions**



- AS-F
- TMH
- ASD
- AS
- AS-FE
- KE
- AS-FG
- AS-FP
- AS-FM
- AS-D**
- AS-T
- ASP
- ASN
- AQ
- ASV
- AK
- VCHC
- ASR
- ASQ

**Dimensions**

Model	T1	T2	H	D1	D2	D3	L1	L2	L3	L4	A *	Weight (g)
AS12□0-M5-D	M5 x 0.8	M5 x 0.8	8	9	9	4.7	10	31	10.3	0.7	27.4	13
AS12□0-U10/32-D	10-32 UNF	10-32 UNF										
AS22□0-01-SD	R 1/8	Rc 1/8	12	14.3	14.6	7.2	18	34.7	13.2	1.2	31.6	33
AS22□0-F01-SD		G 1/8										
AS22□0-N01-SD	NPT 1/8	NPT 1/8	12.7	18	19.5	7.2	27.2	40.2	17.5	1.2	36.7	72
AS22□0-02-SD	R 1/4	Rc 1/4										
AS22□0-F02-SD	R 1/4	G 1/4	17	18	19.5	7.2	27.2	40.2	17.5	1.2	36.7	72
AS22□0-N02-SD		NPT 1/4										
AS32□0-02-SD	R 1/4	Rc 3/8	19	22.5	24.3	9.8	30	54.8	21.9	1.2	49.3	123
AS32□0-F02-SD		G 3/8										
AS32□0-N02-SD	NPT 1/4	NPT 3/8	19	22.5	24.3	9.8	30	52.6	19.7	1.2	47.4	128
AS32□0-03-SD	R 3/8	Rc 3/8										
AS32□0-F03-SD	R 3/8	G 3/8	19	22.5	24.3	9.8	30	52.6	19.7	1.2	47.4	128
AS32□0-N03-SD		NPT 3/8										
AS42□0-04-SD	R 1/2	Rc 1/2	24	27.5	28.5	12.4	38.5	62.9	25.8	1.2	55.8	222
AS42□0-F04-SD		G 1/2										
AS42□0-N04-SD	NPT 1/2	NPT 1/2	23.8	27.5	28.5	12.4	38.5	62.9	25.8	1.2	55.8	222
AS42□0-F04-SD	G 1/2											

\* Reference thread dimensions after installation.