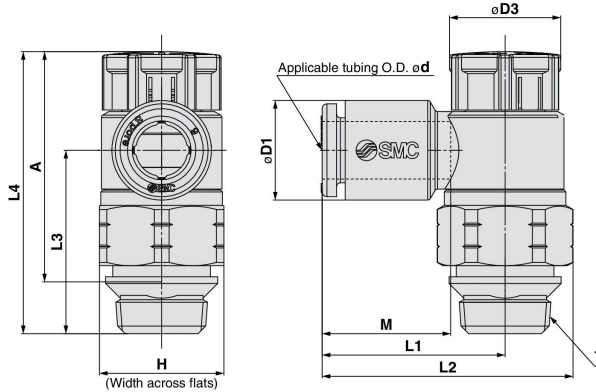


# AS Series

## Dimensions/ Elbow type



### Metric Size

Model	d	T Uni thread	H	D1	D3	L1	L2	L3	L4 <sup>Note 1)</sup>		A <sup>Note 2)</sup>		M	Weight [g]
									Unlocked	Locked	Unlocked	Locked		
AS22□1F-U01-23A	3.2	1/8	13	7.2	12	19.1	26.2	19.1	30.6	29.2	25.8	24.4	13.3	9
AS22□1F-U01-04A	4			8.2										
AS22□1F-U01-06A	6			10.4										
AS22□1F-U01-08A	8			13.2										
AS22□1F-U01-10A	10	15.9	25.3	32.4										
AS22□1F-U02-23A	3.2	1/4	17	7.2	13	23.4	32.7	22.6	36.6	35	30.2	28.6	13.3	17
AS22□1F-U02-04A	4			8.2										
AS22□1F-U02-06A	6			10.4										
AS22□1F-U02-08A	8			13.2										
AS22□1F-U02-10A	10	15.9	26.9	36.2										
AS32□1F-U02-06A	6	1/4	19	10.4	16.6	21.8	32.1	36.4	50	48.4	43.6	42	13.3	39
AS32□1F-U02-08A	8			13.2										
AS32□1F-U02-10A	10			15.9										
AS32□1F-U02-12A	12			18.5										
AS32□1F-U03-06A	6	3/8	19	10.4	16.6	21.8	32.1	28.7	42.3	40.7	35.9	34.3	13.3	39
AS32□1F-U03-08A	8			13.2										
AS32□1F-U03-10A	10			15.9										
AS32□1F-U03-12A	12			18.5										
AS42□1F-U04-10A	10	1/2	24	15.9	18.8	27.4	40.3	36.2	50.8	49.2	42.2	40.6	15.6	52
AS42□1F-U04-12A	12			18.5										
AS42□1F-U04-14A	14			21.1										
AS42□1F-U04-16A	16			23.8										

Note 1) Reference dimensions Note 2) Reference dimensions of threads after installation

### Inch Size

Model	d	T Uni thread	H	D1	D3	L1	L2	L3	L4 <sup>Note 1)</sup>		A <sup>Note 2)</sup>		M	Weight [g]
									Unlocked	Locked	Unlocked	Locked		
AS22□1F-U01-01A	1/8"	1/8	13	7.2	12	19.1	26.2	19.1	30.6	29.2	25.8	24.4	13.3	9
AS22□1F-U01-03A	5/32"			8.2										
AS22□1F-U01-07A	1/4"			11.2										
AS22□1F-U01-09A	5/16"			13.2										
AS22□1F-U02-01A	1/8"	1/4	17	7.2	13	23.4	32.7	22.6	36.6	35	30.2	28.6	13.3	17
AS22□1F-U02-03A	5/32"			8.2										
AS22□1F-U02-07A	1/4"			11.2										
AS22□1F-U02-09A	5/16"			13.2										
AS22□1F-U02-11A	3/8"	15.5	26.4	35.7										
AS32□1F-U02-07A	1/4"	1/4	19	11.2	16.6	21.8	32.1	36.4	50	48.4	43.6	42	13.3	39
AS32□1F-U02-09A	5/16"			13.2										
AS32□1F-U02-11A	3/8"			15.5										
AS32□1F-U03-07A	1/4"			11.2										
AS32□1F-U03-09A	5/16"	3/8	19	13.2	16.6	22.7	33	28.7	42.3	40.7	35.9	34.3	13.3	39
AS32□1F-U03-11A	3/8"			15.5										
AS42□1F-U04-11A	3/8"			15.5										
AS42□1F-U04-13A	1/2"			19.3										

Note 1) Reference dimensions Note 2) Reference dimensions of threads after installation