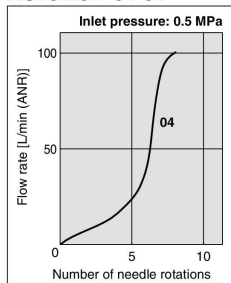
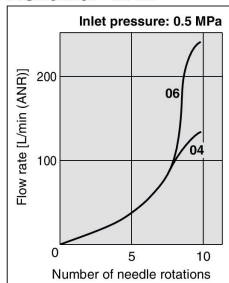


Needle Valve/Flow Rate Characteristics

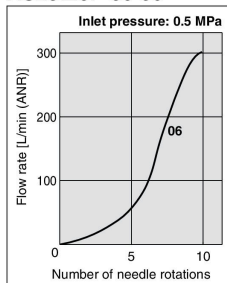
AS10□0P-04-04



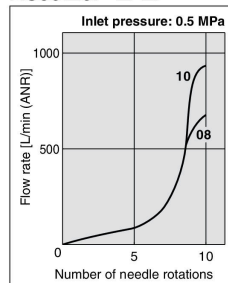
AS20□0P-□-□



AS25□0P-06-06



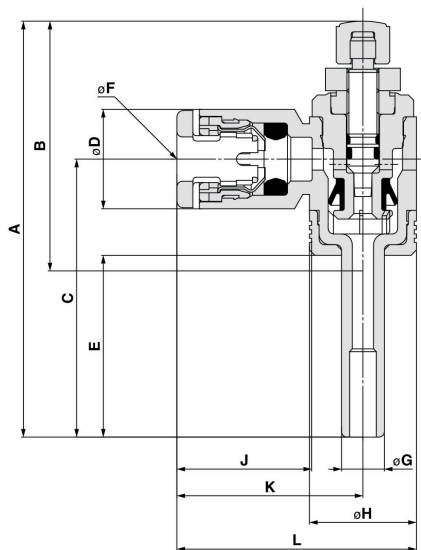
AS30□0P-□-□



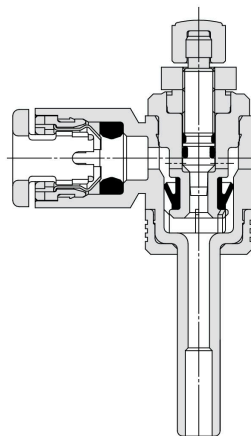
Note) The numbers above the flow rate characteristic curves in the charts show the tubing diameter as defined by the product number.

Dimensions

Meter-out type



Meter-in type



Model	A		B		C	oD	E	oF	oG	oH	J	K	L
	MIN.	MAX.	MIN.	MAX.									
AS10□0P-04-04	38.9	41.7	23.9	26.7	26	9.3	17	4	4	10	12.7	17.4	22.4
AS20□0P-04-04	46.4	51.4	31.4	36.4	30	9.3	17.1	4	4	13.6	12.7	18.9	25.7
AS20□0P-06-06	47.3	52.3	31.3	36.3	30	11.6	18	6	6	13.6	13.5	19.9	26.7
AS25□0P-06-06	49.6	54.6	33.6	38.6	32	12.8	18	6	6	17	16.8	24.1	32.6
AS30□0P-08-08	55.5	60.5	37	42	36	15.2	19	8	8	22	18.5	27	38
AS30□0P-10-10	58.5	63.5	37.5	42.5	39	18.5	22	10	10	22	21	30.5	41.5