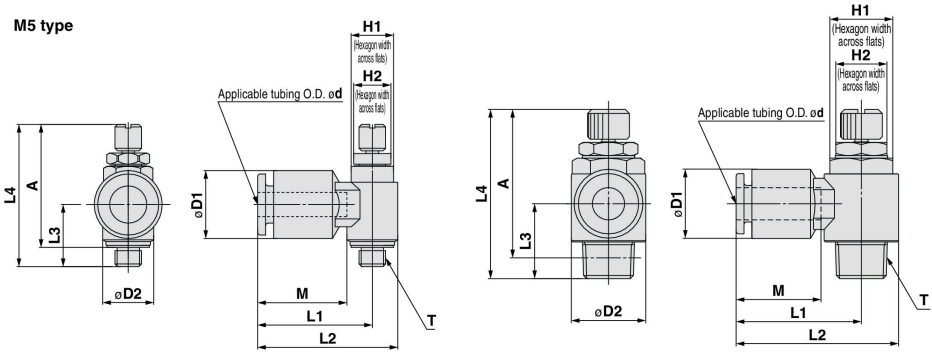


AS Series



Elbow Type

M5 type



Metric Size

Model	Applicable tubing O.D. ød	T	H1	H2	D1	D2	L1	L2	L3	L4 ⁽¹⁾		A ⁽²⁾		M	Weight (g)								
										Max.	Min.	Max.	Min.										
AS12□1F-M5-06W2	6	M5 x 0.8	8	6	11.6	9.6	18.1	22.9	11.7	28.8	26	25.2	22.4	13.5	9								
AS22□1F-01-06W2	6	R 1/8	12	10	13.2	14.2	23.9	31	13.4	36.4	31.4	33.3	28.3	17	19								
AS22□1F-01-08W2	8				15.2		25.3	32.4						18.5	21								
AS22□1F-01-10W2	10				18.5		32.1	39.2						21	23								
AS22□1F-02-06W2	6	R 1/4	17	12	13.2	18.5	25.2	34.4	17.7	41.1	36.1	35.6	30.6	17	34								
AS22□1F-02-08W2	8				15.2		27.2	36.4						18.5	36								
AS22□1F-02-10W2	10				18.5		35.3	44.5						21	38								
AS32□1F-02-06W2	6				13.2		27.8	39.3	17					63									
AS32□1F-02-08W2	8				15.2		29.5	41	18.5					65									
AS32□1F-02-10W2	10				18.5		31.5	43.1	21					67									
AS32□1F-02-12W2	12	20.9	32.8	44.3	22	69																	
AS32□1F-03-06W2	6	R 3/8	19	14	13.2	23	27.8	39.3	19.8	47.4	42.4	42.4	37.4	17	58								
AS32□1F-03-08W2	8				15.2		29.5	41						18.5	60								
AS32□1F-03-10W2	10				18.5		31.5	43.1						21	62								
AS32□1F-03-12W2	12				20.9		32.8	44.3	22					64									
AS42□1F-04-10W2	10				R 1/2		24	17	18.5					28.6	33.6	47.9	24.5	58.7	51.2	51.4	43.9	21	101
AS42□1F-04-12W2	12								20.9						35.2	49.5						22	107

Note 1) Reference dimensions

Note 2) Reference thread dimensions after installation.