

Rectangular Multi-connector *KDM Series*

No. of Connecting Tubes: 10, 20

RoHS

Multi-connector is effective in saving labor for separate transportation of the panel and the machine, and for exchanging units due to failure.

Substantial reduction in mounting space

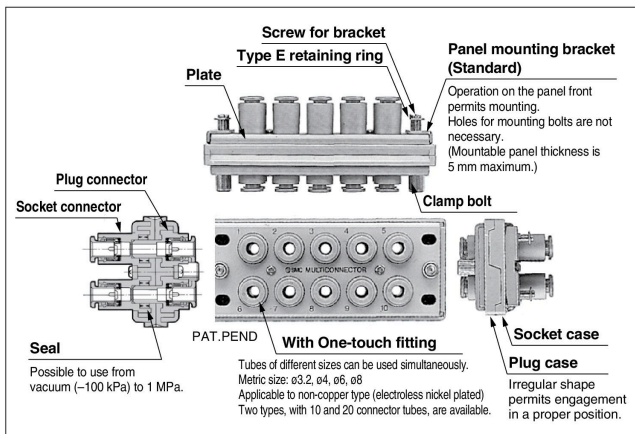
In comparison with a model requiring many union joints for panels and partitions, this model needs only a small space.

One-touch connection/disconnection of connector

Multiple pipes can be connected/disconnected in one-touch operation without connection error. Thus man-hours for connection/disconnection are cut down substantially.

One-touch tube connection

One-touch fittings substantially cuts down man-hours for piping.



Model

No. of connecting tubes	Tubing O.D.	Model	Weight (g)	Color of release button
10	$\phi 3.2$	KDM10-23	300	Blue
	$\phi 4$	KDM10-04		
	$\phi 6$	KDM10-06	520	
	$\phi 8$	KDM10-08		
20	$\phi 3.2$	KDM20-23	520	
	$\phi 4$	KDM20-04		
	$\phi 6$	KDM20-06	950	
	$\phi 8$	KDM20-08		

Applicable Tubing

Tubing material	FEP, PFA, Nylon, Soft nylon, Polyurethane
Tubing O.D.	$\phi 3.2$, $\phi 4$, $\phi 6$, $\phi 8$

Specifications

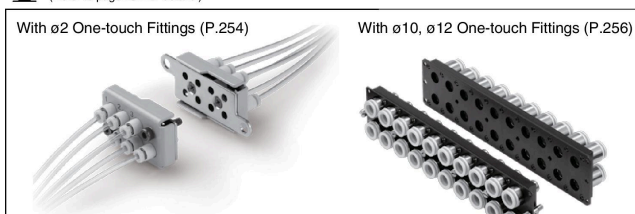
Fluid	Air
Operating pressure range (Note)	-100 kPa to 1 MPa
Proof pressure	1.5 MPa
Ambient and fluid temperature	-5 to 60°C (No freezing)

(Note) Please avoid using in a vacuum holding application such as a leak tester, since there is leakage.

Caution

Be sure to read this before handling the products.
Refer to back page 50 for Safety Instructions and pages 13 to 17 for Fittings and Tubing Precautions.

Made to Order
(Refer to page 254 for details.)



KQ2

KQB2

KS

KX

KM

KF

M

H/DL

L/LL

KC

KK

KK130

DM

KDM

KB

KR

KA

KQG2

KG

KFG2

MS

KKA

KP

LQ

MQR

T

IDK