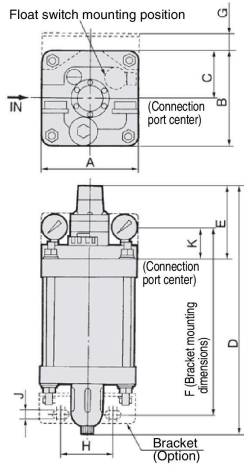


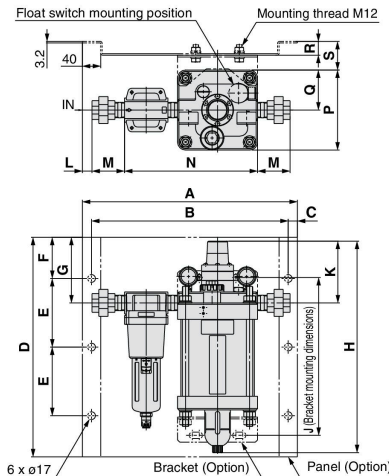
**D.P. Lube/ALD600-□06 to 10, ALD900-□12 to 20**



- AL800
- AL900
- ALF
- ALT
- ALD**
- ALB
- LMU
- ALIP
- AEP
- HEP

Model	Port size	A	B	C	D	E	Bracket dimensions				
							F	G	H	J	K
ALD600-□06 to 10	3/4, 1	175	175	87.5	487	135	344	32.5	95	14	55.5
ALD900-□12 to 20	1 1/4, 1/2, 2	250	250	125	639	210	416.5	0	120	14	48

**D.P. Lube Unit/ALDU600-□06 to 10, ALDU900-□12 to 20**



Model	Port size	A	B	C	D	E	F	G	H	J	K	L	M	N	P	Q	R	S
ALDU600-□06	3/4	470	430	20	500	150	90	145	487	344	55.5	24.5	69.5	289	175	87.5	30	62.5
ALDU600-□10	1											13.6	78.2	291.2				
ALDU900-□12	1 1/4	250	250	125	639	230	120	227	639	416.5	48	51	89	453	250	125	33.2	33.2
ALDU900-□14	1 1/2											45.5	94.5	453				
ALDU900-□20	2											14.5	102.5	476				