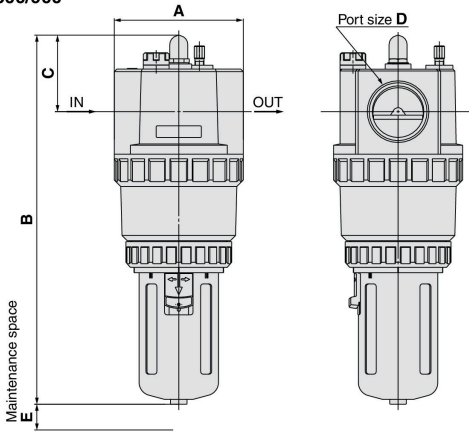


AL800/900 Series

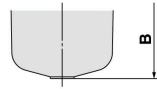
Dimensions

AL800/900

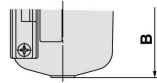


Semi-standard

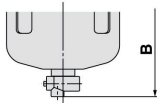
Metal bowl



Metal bowl with level gauge



With drain cock

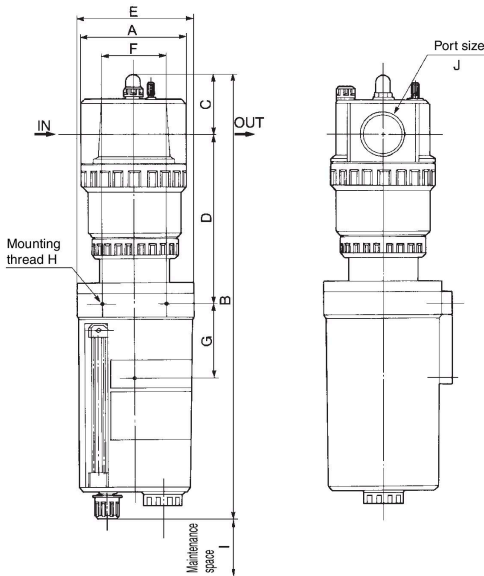


Semi-standard/Dimensions

Model	Port size D	A	B	C	E
AL800	1¼, 1½	100	286	59	125
AL900	2	100	292	63	125

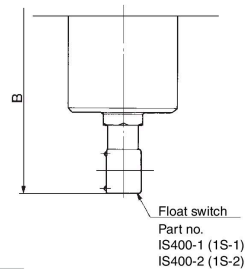
Model	B		
	Metal bowl	Metal bowl with level gauge	With drain cock
AL800	286	306	297
AL900	292	312	303

Semi-standard/1000 cm³ Tank



Float switch

Contact point capacity: AC: 15 VA, DC: 15 W
Contact point construction: 1a, 1b



Model	Port size J	A	B*	C	D	E	F	G	H	I
AL800-12 to 14-1	1¼, 1½	100	431 (481)	59	166	ø117	60	73	3 x M5 x 0.8 x depth 6	230
AL900-20-1	2	100	437 (487)	63	162	ø117	60	73	3 x M5 x 0.8 x depth 6	230

* () : With float switch