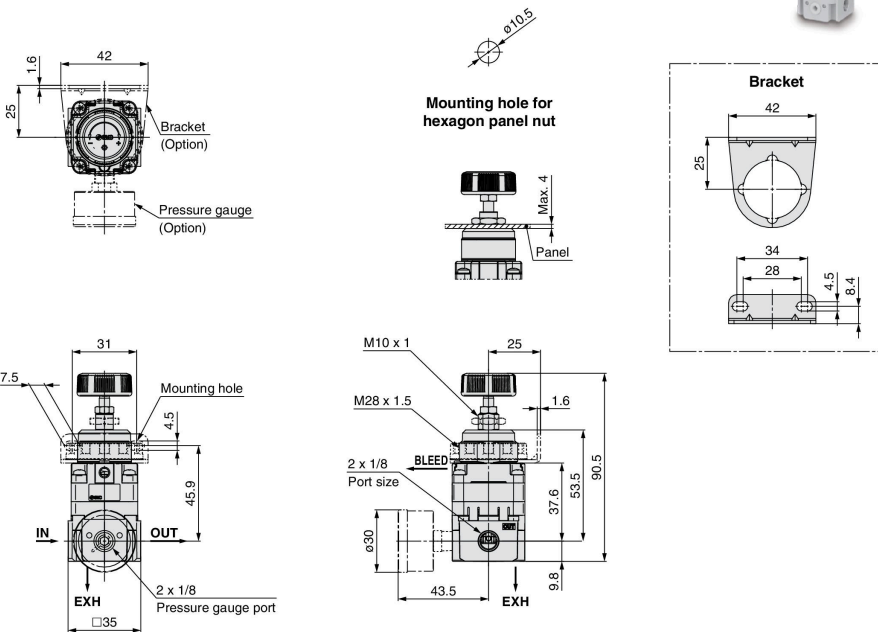


Precision Regulator *IR1000-A/2000-A/3000-A Series*



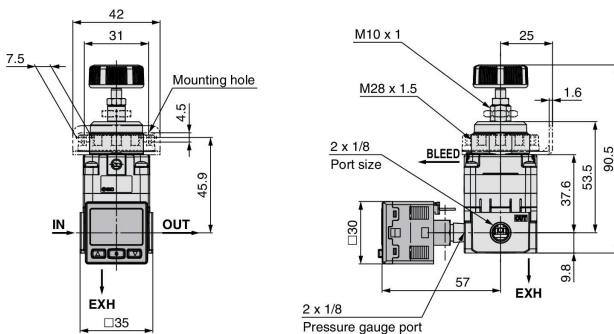
Dimensions

Basic type (Knob): IR10□0-01□-A



When connecting to the EXH port, contact your SMC sales representative separately.

With digital pressure switch: IR10□0-01□E□-A



ARJ
AR425 to 935
ARX
AMR
ARM
ARP
IR□-A
IR
IRV
VEV
SRH
SRP
SRF
ITV
IC
ITVH
ITVX
PVQ
VY1
VBA
VBAT
AP100