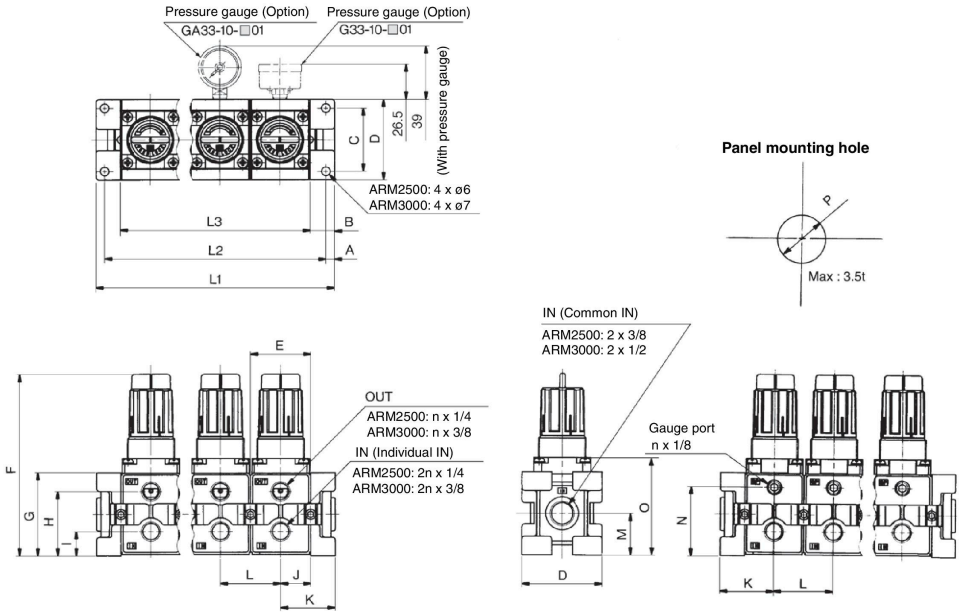


Dimensions



Dimensions

* For products with pressure gauge, pressure gauges are shipped together with product.

Model	Symbol	A	B	C	D	E	F	G	H	I	J	K	L	M	N	O	P
		ARM2500	6	17	44	56	42	126.5	58	45	17	21	38	42	29	48	68
ARM3000	7	21	54	68	55	153.5	70	53	23.5	27.5	48.5	55	35	59	85.5	42.5	

Dimensions by the Number of Stations

Model	Symbol	Manifold stations									
		2	3	4	5	6	7	8	9	10	
ARM2500	L1	118	160	202	244	286	328	370	412	454	
	L2	106	148	190	232	274	316	358	400	442	
	L3	84	126	168	210	252	294	336	378	420	
ARM3000	L1	152	207	262	317	372	427	482	537	592	
	L2	138	193	248	303	358	413	468	523	578	
	L3	110	165	220	275	330	385	440	495	550	

ARJ

AR425
to 935

ARX

AMR

ARM

ARP

IR□-A

IR

IRV

VEV

SRH

SRP

SRF

ITV

IC

ITVH

ITVX

PVQ

VY1

VBA
VBAT

AP100