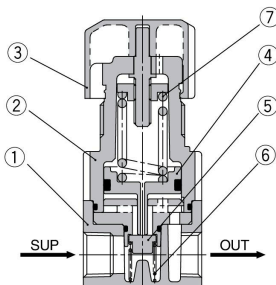


ARX20 Series

Construction

Symbol



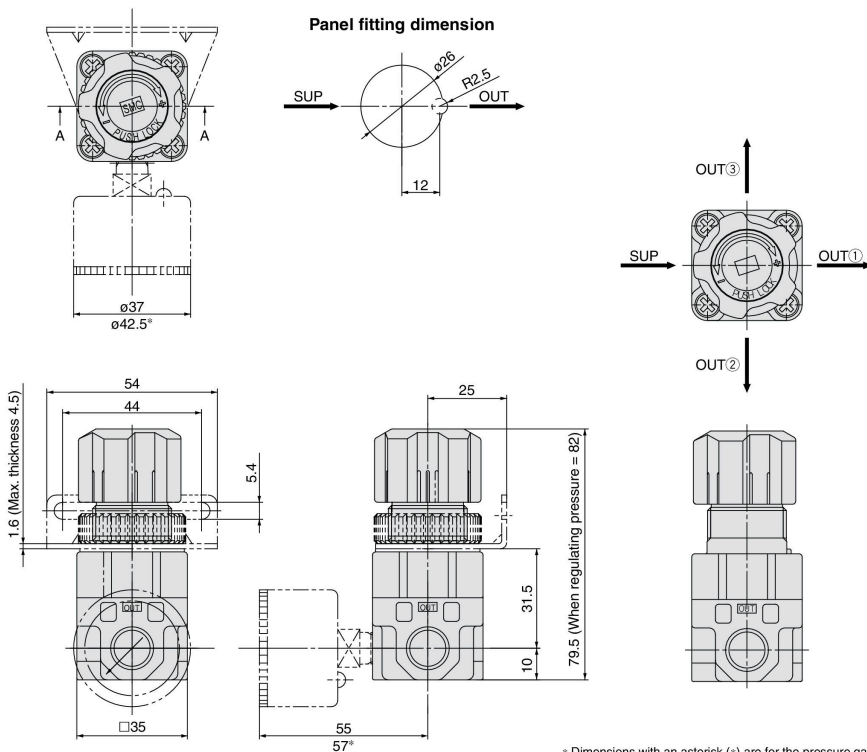
Component Parts

No.	Description	Material	Note
1	Body	ADC	Chromate treated
2	Bonnet	POM	

Replacement Parts

No.	Description	Material	Part no.
3	Knob	POM	1348102#1
4	Piston assembly	POM, NBR	1348104A
5	Valve	Brass, NBR	1348114#1
6	Valve spring	Stainless steel	1348109
7	Adjusting spring	Steel wire	1348108 (For 0.85 MPa) 1348108-1 (For 0.3 MPa)

Dimensions



* Dimensions with an asterisk (*) are for the pressure gauge G46.