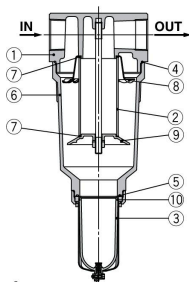


AF800/900 Series

Construction



Component Parts

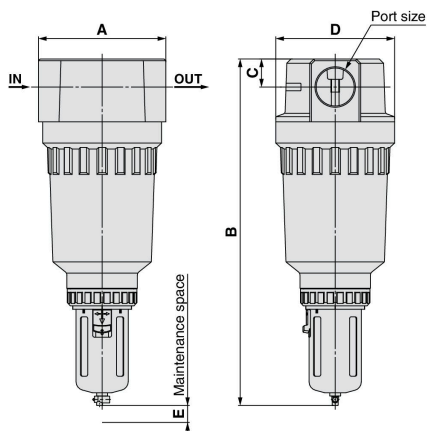
No.	Description	Material		Note
		AF800	AF900	
1	Body	Aluminum die-casted	Aluminum casted	Platinum silver painted
6	Housing	Aluminum die-casted	Aluminum casted	Platinum silver painted

Replacement Parts

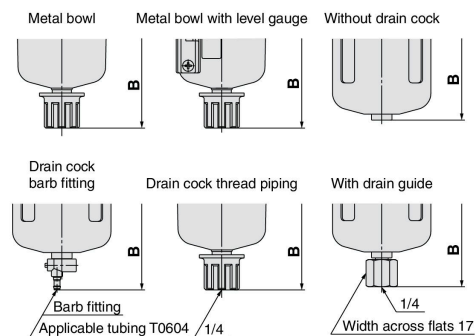
No.	Description	Material	Part no.		Qty.	
			AF800	AF900		
2	Element	Standard	Bronze	11345-5B	11352-5B	1
		-7	Stainless steel	11345-5S	11352-5S	1
3	Bowl assembly	Standard	—	C4SF	—	1
		-2	—	C4SF-2	—	
		-6	—	C4SF-6	—	
		-8	—	C4LF-8	—	
		-9	—	C4SF-X401	—	
4	O-ring	NBR	JIS B2401 G130	630332	1	
5	O-ring	NBR	113136	113136	1	
7	Element seal	NBR	11217	112310	2	
8	Deflector	Aluminum	11346	11355	1	
9	Buffer	AF800	ADC	11344	—	1
		AF900	Aluminum casted	—	11354	
10	O-ring	NBR	—	C4SFP-260S	1	

Note) O-ring ⑩ is attached.

Dimensions



Option



Option/Dimensions

Model	A	B	C	D	B (With auto drain)		E
					N.O.	N.C.	
AF800	150	408	33	140	448	448	150
AF900	200	488	46	170	528	528	210

Model	B (Without auto drain)					
	Metal bowl	Metal bowl with level gauge	Without drain cock	Drain cock barb fitting	Drain cock thread piping	With drain guide
AF800	421	441	397	417	421	415
AF900	501	521	477	497	501	495

⚠ Precautions

- Be sure to read this before handling the products.
- Refer to back page 50 for Safety Instructions and pages 387 to 391 for F.R.L. Precautions.