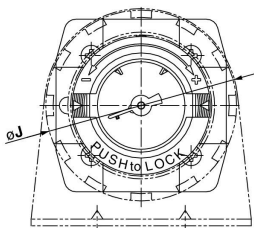
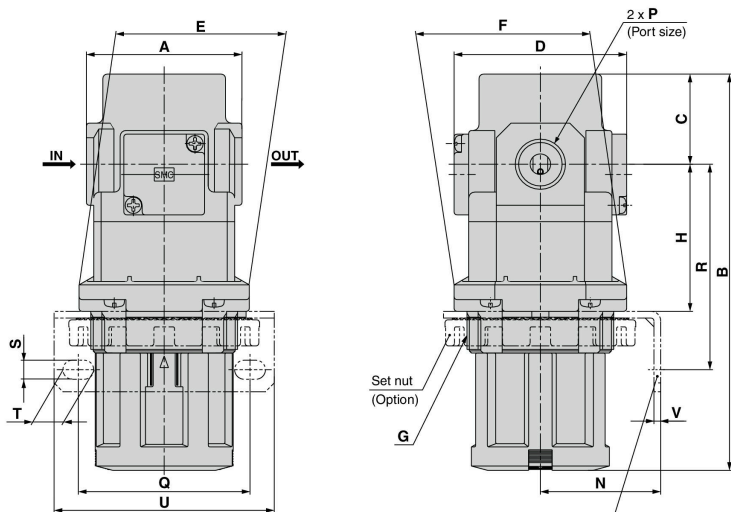


Regulator with Built-in Pressure Gauge **ARG20/30/40 Series**

Dimensions



Panel fitting dimension

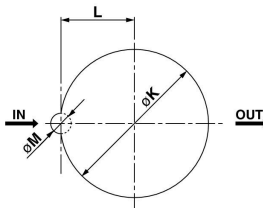


Plate thickness
ARG20 to 40: Max. 3.5

- AC-A
- AF-A
- AF-A
- AR-A
- AL-A
- AW-A
- AC-B
- AF-A
- AF-A
- AR-A
- AL-A
- AW-A
- AW
- AG**
- E
- AV
- AF

Model	Standard specifications								Option specifications														
	P	A	B ^(Note)		C	D	E	F	G	Panel mount							Bracket mount						
			H	J						K	L	M	Q	U	T	S	R	V	N				
ARG20	1/8, 1/4	40	114	26.5	57	45	47	M39 x 1.5	38	52.5	39.5	19.5	6	48	65	10.4	5.4	60	2.3	35			
ARG30	1/4, 3/8	53	138.5	31	59	58	59	M50 x 1.5	50	65	50.5	25	7	58.5	75	10.5	6.5	70	2.3	45			
ARG40	1/4, 3/8, 1/2	70	150.5	36	68	70	70	M55 x 1.5	54	70	55.5	27.5	7	65.5	85	12.5	8.5	75	2.3	50			

Note) Full length dimension B is measured when the knob is unlocked.