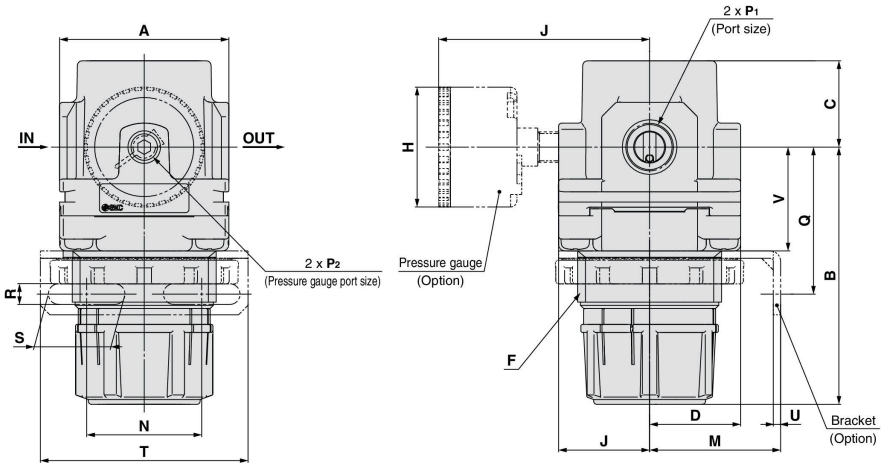


# Regulator **AR10-A to AR40-A Series**

## Dimensions

### AR10-A to AR40-06-A



### Panel fitting dimensions

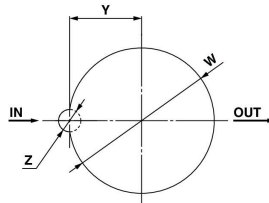


Plate thickness  
**AR10-A** : Max. 3.5  
**AR20-A to AR25-A** : Max. 4  
**AR30-A to AR40-06-A** : Max. 8

- AC-A
- AF-A
- AF□-A
- AR-A**
- AL-A
- AW-A
- AC-B
- AF-A
- AF□-A
- AR-~~A~~
- AL-A
- AW-~~A~~
- AW□
- A□G
- E□
- AV
- AF

Model	Standard specifications																Optional specifications													
																	Round type pressure gauge		Round type pressure gauge (with color zone)		Bracket mount						Panel mount			
	P <sub>1</sub>	P <sub>2</sub>	A	B (Note)	C	D	F	J	H	J	H	J	M	N	Q	R	S	T	U	V	W	Y	Z							
<b>AR10-A</b>	M5 x 0.8	1/16	25	47.4	11	12.5	M18 x 1	12.5	ø26	26	—	—	25	28	30	4.5	6.5	40	2	18	18.5	—	—							
<b>AR20-A</b>	1/8, 1/4	1/8	40	67.4	23.5	22	M36 x 1.5	22	ø37.5	58.5	ø37.5	59.5	30	34	43.9	5.4	15.4	55	2.3	27.3	36.5	17.5	6							
<b>AR25-A</b>	1/4, 3/8	1/8	53	70.4	23.5	22	M36 x 1.5	22	ø37.5	58.5	ø37.5	59.5	30	34	44.3	5.4	15.4	55	2.3	30.3	36.5	17.5	6							
<b>AR30-A</b>	1/4, 3/8	1/8	53	83.5	27	28.5	M45 x 1.5	28.5	ø37.5	65	ø37.5	66	41	36	46	6.5	24	65	2.3	32.5	45.5	22.5	7							
<b>AR40-A</b>	1/4, 3/8, 1/2	1/8	70	100	33.5	34.5	M52 x 1.5	34.5	ø42.5	72	ø42.5	72	50	38	54	8.5	26.5	70	2.3	38.4	52.5	26	7							
<b>AR40-06-A</b>	3/4	1/8	75	101.5	33.5	34.5	M52 x 1.5	34.5	ø42.5	72	ø42.5	72	50	38	55.5	8.5	26.5	70	2.3	39.9	52.5	26	7							

Note) The dimension of B is the length when the filter regulator knob is unlocked.