

Compressed Air Cleaning Filter Series

Made to Order Specifications 2



Please contact SMC for detailed dimensions, specifications and lead times.

③ With IN-OUT Flange

Makes flange piping easier when filter ports on IN and OUT are flange connection. (Flange material: Carbon steel)

Applicable Models

- AFF11C, 22C, 37B, 75B
- AM450C, 550C, 650, 850
- AMD450C, 550C, 650, 850
- AMH450C, 550C, 650, 850
- AMG450C, 550C, 650, 850

Note) Not applicable to the AME and AMF series.

How to Order

Standard model no.* **-X15**

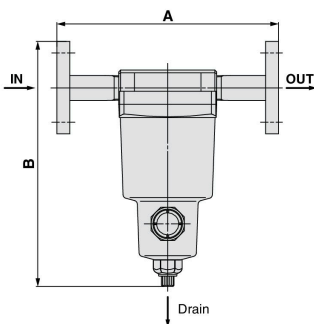
* Refer to How to Order of the standard specifications for the applicable models.

Example) AMG550C-10D-X15

Note) The model with bracket (Accessory symbol B) is not available.

Not applicable to option symbols H and V.

Dimensions



Note) The figure shows the drain cock specification.

AFF series	AM, AMD, AMG, AMH series	Port size symbol*	JIS 10K FF flange	(mm)	
Size	Size			A	B
11C	450C	04	15 (1/2B)	242±3	256
		06	20 (3/4B)	239±3	258
22C	550C	06	20 (3/4B)	255±3	288
		10	25 (1B)	259±4	301
37B	650	10	25 (1B)	297±4	345
		14	40 (1 1/2B)	298±4	352
75B	850	14	40 (1 1/2B)	384±4	489
		20	50 (2B)	378±4	497

④ With Pressure Differential Gauge, IN-OUT Flange

The replacement period due to clogging of the element can be checked by the differential pressure gauge. Ports on IN and OUT are flange connection. (Flange material: Carbon steel)

Applicable Models

- AFF11C, 22C, 37B, 75B
- AM450C, 550C, 650, 850
- AMD450C, 550C, 650, 850
- AMH450C, 550C, 650, 850

Note) Not applicable to the AME and AMF series.

How to Order

Standard model no.* **-X17**

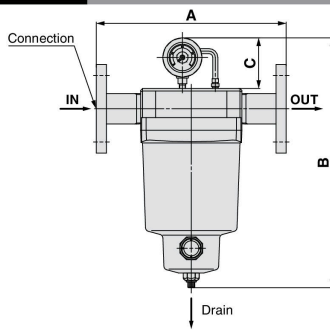
* Refer to How to Order of the standard specifications for the applicable models.

Example) AM450C-06D-X17

Note) The model with bracket (Accessory symbol B) is not available.

Not applicable to option symbols F, H, S, U, T and V.

Dimensions



Note) The figure shows the drain cock specification.

AFF series	AM, AMD, AMG, AMH series	Port size symbol*	JIS 10K FF flange	(mm)		
Size	Size			A	B	C
11C	450C	04	15 (1/2B)	242±3	308	
		06	20 (3/4B)	239±3		
22C	550C	06	20 (3/4B)	255±3	342	
		10	25 (1B)	259±4		
37B	650	10	25 (1B)	297±4	394	80
		14	40 (1 1/2B)	298±4		
75B	850	14	40 (1 1/2B)	384±4	541	
		20	50 (2B)	378±4		