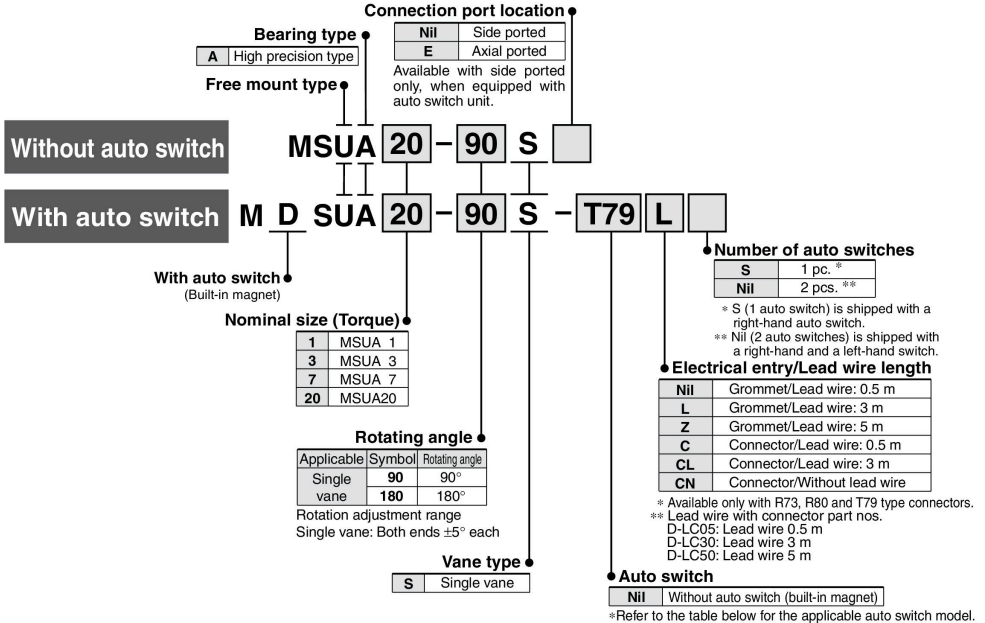


Rotary Table: High Precision Type Vane Type

MSUA Series

Size: 1, 3, 7, 20

How to Order



Applicable Auto Switches/Refer to pages 797 to 850 for further information on auto switches.

Applicable model	Type	Special function	Electrical entry	Indicate light	Wiring (Output)	Load voltage		Auto switch model		Lead wire type	Lead wire length (m) **				Pre-wired connector	Applicable load		
						DC	AC	Perpendicular	In-line		0.5 (Nil)	3 (L)	5 (Z)	None (N)				
																	5 V, 12 V	5 V, 12 V, 24 V
MDSUA1 MDSUA3	Solid state auto switch	—	Grommet	Yes	3-wire (NPN)	24 V	—	S99V	S99	Heavy-duty cord	●	●	○	—	○	IC circuit		
	Reed auto switch	—			3-wire (PNP)			S9PV	S9P		●	●	○	—	○		—	—
				No	2-wire	5 V, 12 V	5 V, 12 V, 24 V	—	90	Parallel cord	●	●	●	—	—	IC circuit		
				Yes	—	5 V, 12 V, 100 V	5 V, 12 V, 24 V, 100 V	—	90A	Heavy-duty cord	●	●	●	—	—	—		
				Yes	—	—	100 V	—	97	Parallel cord	●	●	●	—	—	—		
				Yes	—	—	100 V	—	93A	Heavy-duty cord	●	●	●	—	—	—		
MDSUA7 MDSUA20	Solid state auto switch	—	Grommet	Yes	3-wire (NPN)	24 V	—	S79	—	Heavy-duty cord	●	●	○	—	○	IC circuit		
	Reed auto switch	—			3-wire (PNP)			S7P	—		●	●	○	—	○		—	—
			Connector	No	2-wire	24 V	—	T79	—		●	●	○	—	○	IC circuit		
			Grommet					T79C	—		●	●	●	●	—		—	—
			Connector					R73	—		●	●	○	—	—		—	
			Grommet					R73C	—		●	●	●	●	—			—
			Connector	R80	—	●	●	○	—	—	IC circuit							
			Grommet	R80C	—	●	●	●	●	—		—	—					
			Connector	—	—	48 V, 100 V	100 V	—	—	—	●	●	○	—	—	—		
			Connector	—	—	—	24 V or less	—	—	—	●	●	●	—	—	—		

* Lead wire length symbols:

0.5 m Nil (Example) R73C
3 m L (Example) R73CL
5 m Z (Example) R73CZ
None N (Example) R73CN

* Auto switches are shipped together (but not assembled).

* Auto switches marked with "○" are made-to-order specifications.

* Refer to pages 837 and 838 for detailed solid state auto switches with pre-wired connectors.

Order example: MSUA20 single vane type (connection port side location selected)

- Standard type (Without auto switches), Rotation 90°, side port location
MSUA20-90S
- With auto switch unit (Without auto switches), Rotation 180°, side port location
MDSUA20-180S
- With auto switch unit + Auto switch R73, Rotation 180°, Side port location
MDSUA20-180S-R73