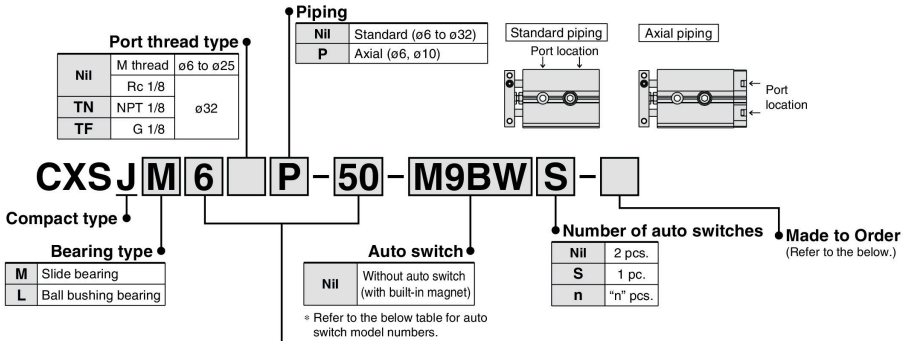


# Dual Rod Cylinder/Compact Type

# CXSJ Series

ø6, ø10, ø15, ø20, ø25, ø32

## How to Order



### Moisture Control Tube IDK Series

When operating an actuator with a small diameter and a short stroke at a high frequency, the dew condensation (water droplet) may occur inside the piping depending on the conditions. Simply connecting the moisture control tube to the actuator will prevent dew condensation from occurring. For details, refer to [the IDK series in the Best Pneumatics No. 6](#).



**Made to Order**  
[Click here for details](#)

### Bore size/Stroke (mm)

Bore size	Standard stroke
6	10, 20, 30, 40, 50
10	10, 20, 30, 40, 50, 75
15	10, 20, 30, 40, 50, 75, 100
20	
25	
32	

Symbol	Specifications
-XB6	Heat resistant cylinder (-10 to 150°C)
-XB11	Long stroke type
-XB13	Low speed cylinder (5 to 50 mm/s)
-XC6 (Note)	Made of stainless steel
-XC19	Intermediate stroke (spacer)
-XC22	Fluoro rubber seals
-XC85	Grease for food processing equipment

(Note) Slide bearing type (M) only

## Applicable Auto Switches/Refer to pages 1119 to 1245 for detailed auto switch specifications.

Type	Special function	Electrical entry	Indicator light	Wiring (output)	Load voltage		Auto switch model		Lead wire length (m)*				Pre-wired connector	Applicable load	
					DC	AC	Perpendicular	In-line	0.5 (Nil)	1 (M)	3 (L)	5 (Z)			
															3-wire (NPN)
Solid state auto switch	—	Grommet	Yes	3-wire (NPN)	5 V, 12 V	—	M9NV	M9N	●	●	●	○	○	IC circuit	
				3-wire (PNP)			M9PV	M9P	●	●	●	○	○		
				2-wire	M9BV	M9B	●	●	●	○	○	—			
				3-wire (NPN)	M9NVW	M9NW	●	●	●	○	○	IC circuit			
	3-wire (PNP)			M9PVW	M9PW	●	●	●	○	○					
	2-wire			M9BWW	M9BW	●	●	●	○	○	—				
	3-wire (NPN)			M9NAV*1	M9NA*1	○	○	●	○	○	IC circuit				
	3-wire (PNP)			M9PAV*1	M9PA*1	○	○	●	○	○					
2-wire	M9BAV*1	M9BA*1	○	○	○	○	○	—							
2-wire	M9BVA*1	M9BA*1	○	○	○	○	○	—							
Reed auto switch	—	Grommet	Yes	3-wire (NPN equiv.)	—	5 V	A96V	A96	●	—	●	—	—	IC circuit	—
				2-wire			24 V	12 V	100 V	A93V*2	A93	●	●	●	—
			None			5 V, 12 V	100 V or less	A90V	A90	●	—	●	—	—	IC circuit

\*1 Water resistant type auto switches can be mounted on the above models, but in such case SMC cannot guarantee water resistance.

Consult with SMC regarding water resistant types with the above model numbers.

\*2 1 m type lead wire is only applicable to D-A93.

\* Lead wire length symbols: 0.5 m ..... Nil (Example) M9NW  
 1 m ..... M M9NWM  
 3 m ..... L M9NWL  
 5 m ..... Z M9NWZ

\* Solid state auto switches marked with "○" are produced upon receipt of order.

\* Since there are applicable auto switches other than listed, refer to page 747 for details.

\* For details about switch with pre-wired connector, refer to pages 1192 and 1193.

\* Auto switches are shipped together (not assembled).

CX2

CXW

CXT

CXSJ

CXS

D-□

-X□