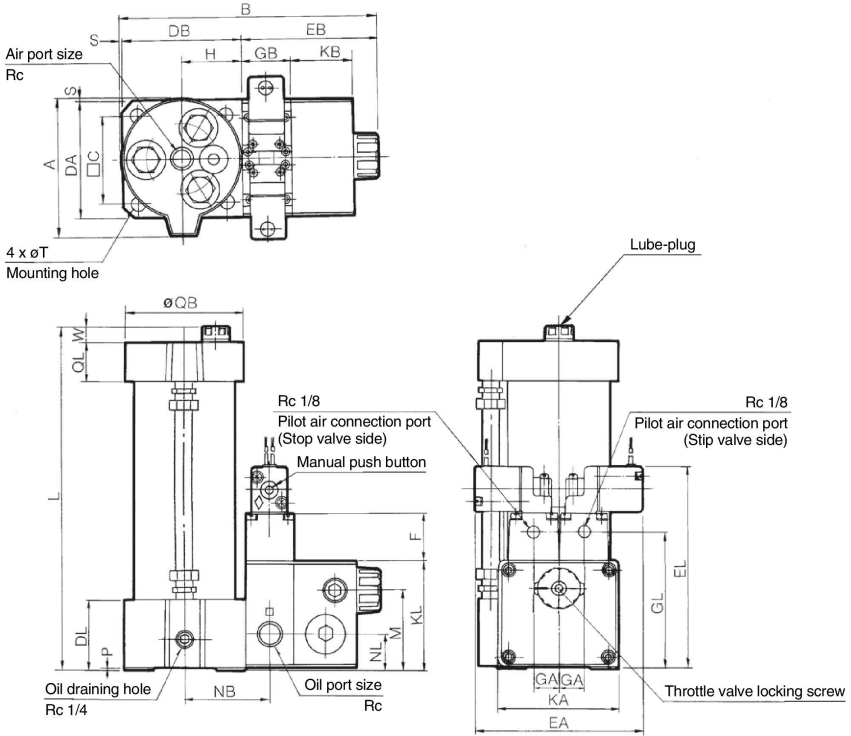


**Dimensions**

**Hydro Unit**



**CC**

Model	Air port size Rc	Oil port size Rc	A	B	C	DA	DB	DL	EA	EB	EL	F	GA	GB	GL	H	KA	KB	KL	M
CC63-□S□1-□G	3/8	1/2	104	186	64	86	88	53	121.8	98	151.5	35	18	35	104	45	86	45	83	60
CC100-□S□1-G	1/2	1/2	139	223	92	116	123	61	121.8	98	156.5	35	18	35	109	65	86	45	88	65
CC100-□L□1-□G	1/2	3/4	139	259	92	116	123	61	133.8	134	185.5	40	24	50	140	65	116	66	112	85
CC160-□L□1-□G	3/4	3/4	202.5	319.5	144	180	183	60	133.8	134	181.5	40	24	50	136	93	116	66	108	81

Model	NB	NL	P	QB	QL	S	T <sup>ø</sup>	W
CC63-□S□1-□G	62.5	28	3	86	30	0	11	9.5
CC100-□S□1-□G	82.5	33	5	120	32	2	13	7
CC100-□L□1-□G	92	33	5	120	32	2	13	7
CC160-□L□1-□G	120	29	0	185	46	2.5	20	7

**L Dimension**

Effective oil level stroke	50	100	200	300	400	500	600	700	800
CC63-□S□1-□G	228.5	278.5	378.5	503.5	603.5	728.5	—	—	—
CC100-□□□1-□G	—	286	386	511	611	736	836	—	—
CC160-□L□1-□G	—	—	399	524	624	749	849	949	1049

\* Hexagon socket head cap screw is used for mounting hole.

D-□

-X□

Technical Data