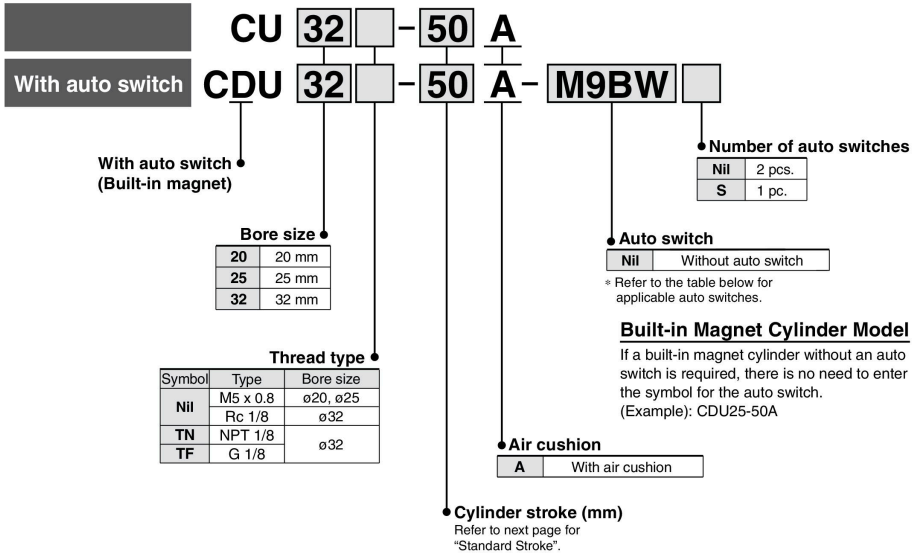


Free Mount Cylinder with Air Cushion

CU Series

ø20, ø25, ø32

How to Order



Applicable Auto Switches/Refer to pages 1575 to 1701 for further information on auto switches.

Type	Special function	Electrical entry	Indicator light	Wiring (Output)	Load voltage		Auto switch model		Lead wire length (m)				Pre-wired connector	Applicable load			
					DC	AC	Perpendicular	In-line	0.5 (Nil)	1 (M)	3 (L)	5 (Z)		Relay, PLC	Relay, PLC		
Solid state auto switch	—	Grommet	Yes	3-wire (NPN)	24 V	5 V, 12 V	—	M9NV	M9N	●	●	●	○			○	IC circuit
				3-wire (PNP)				M9PV	M9P	●	●	●	○	○	IC circuit		
				2-wire				M9BV	M9B	●	●	●	○	○	—		
				3-wire (NPN)				M9NVV	M9NV	●	●	●	○	○	IC circuit		
	Diagnostic indication (2-color indicator)	Grommet	Yes	3-wire (PNP)	24 V	5 V, 12 V	—	M9PWV	M9PW	●	●	●	○	○	IC circuit	Relay, PLC	
				2-wire				M9BWW	M9BW	●	●	●	○	○	—		
				3-wire (NPN)				M9NAV ^{*1}	M9NA ^{*1}	○	○	○	○	○	IC circuit		
				3-wire (PNP)				M9PAV ^{*1}	M9PA ^{*1}	○	○	○	○	○	IC circuit		
Water resistant (2-color indicator)	Grommet	No	2-wire	24 V	12 V	100 V or less	M9BAV ^{*1}	M9BA ^{*1}	○	○	○	○	○	—	Relay, PLC		
			3-wire (NPN equivalent)				A96V	A96	●	—	●	—	—	IC circuit			
Reed auto switch	—	Grommet	Yes	2-wire	24 V	12 V	100 V or less	A93V ^{*2}	A93	●	●	●	●	—			Relay, PLC
								A90V	A90	●	—	●	—	—			

*1 Water resistant type auto switches can be mounted on the above models, but in such case SMC cannot guarantee water resistance. Consult with SMC regarding water resistant types with the above model numbers.

*2 1 m type lead wire is only applicable to D-A93.

* Lead wire length symbols: 0.5 m Nil (Example) M9NW
 1 m M (Example) M9NWM
 3 m L (Example) M9NWL
 5 m Z (Example) M9NWX

* Solid state auto switches marked with "○" are produced upon receipt of order.

* Since there are applicable auto switches other than the above, refer to page 678 for details.

* For detail about auto switches with pre-wired connector, refer to pages 1648 and 1649.

* Auto switches are shipped together but not assembled.