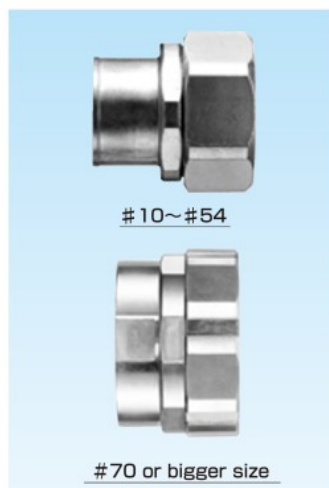


KM SERIES COUPLING FOR RIGID STEEL CONDUIT

MAIN MATERIAL	SURFACE FINISH	FEATURE	ENVIRONMENT	TEMPERATURE RANGE
Brass	Electroplated zinc	Water resistance by KEIFLEX & Pitting (P2)	RoHS	Lowest - 20 °C ~Highest 90°C

KEIFLEX + RIGID STEEL CONDUIT WITH THREAD

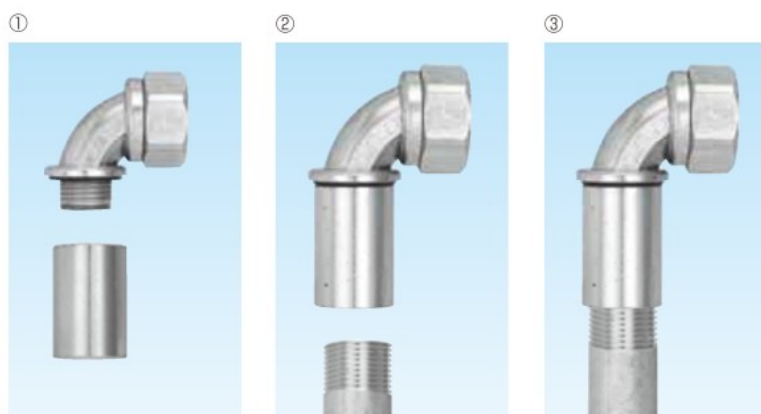


[RIGID STEEL CONDUIT WITH NPT THREAD]

File No.ES0119 File No.LR69357
 QUALITY STANDARD QUALITY STANDARD
 UL LISTED SP

Delivery	Item number	Connectable conduit		Cable max outside diameter to be inserted	φA	φB	φd φl	l ₁	l ₂	l ₃	Weight (g/pc)	Qty / Package
		KEIFLEX	RIGID STEEL CONDUIT WITH NPT THREAD									
○	KMKT 12	12	1/2	10	30.4	26.0	10.8	16.5	21	14	60	20
○	KMKT 16	16	1/2	13	34.2	29.8	14.3	16.5	21	14	70	20
○	KMKT 22	22	3/4	18	41.5	36.7	19.3	16.5	24	14	100	20
○	KMKT 28	28	1	24	48.3	44.2	24.9	18.5	26	16	150	10
○	KMKT 36	36	1-1/4	34	58.8	54.5	34.5	20.5	29	18	210	10
○	KMKT 42	※	1-1/2	37	66.8	61.7	38.2	20.5	31	18	290	10
○	KMKT 54		2	49	80.0	74.7	49.5	22.5	33	20	410	5
○	KMKT 70		2-1/2	60	92.4	88.0	60.6	25.0	38	25	1090	2
□	KMKT 82		3	75	109.8	103.9	75.5	27.0	41	27	1410	2
□	KMKT 92		3-1/2	85	123.8	117.7	86.4	28.0	45	28	1880	1
○	KMKT 104		4	98	137.5	131.2	99.1	29.0	48	29	2321	1

INSTRUCION to use KEIFLEX at 45 or 90 degree angle to Rigid steel conduit with thread



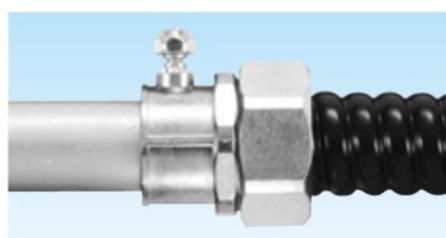
- 1) Take off Rock nut from (B)
- 2) Tighten (C) as tight as it reaches to Main body flange of (B)
- 3) Done

Possible to use KEIFLEX at 45 or 90 degree angle to Rigid steel conduit with thread by using (B) and (C).
 Note: (C) is not available in our product line.

- (A): KEIFLEX
- (B): 45 or 90 degree angle-style connector for KEIFLEX
- (C): Coupling, which is generally used between Rigid steel conduits with thread
- (D): Rigid steel conduit with thread

- eg:
- (A): KEIFLEX - nominal size 22
 - (B): KM90BG22
 - (C): Coupling - nominal size G22
 - (D): Rigid steel conduit with thread - nominal size G22
-
- (A): KEIFLEX - nominal size 22
 - (B): KM45BG22
 - (C): Coupling - nominal size G22
 - (D): Rigid steel conduit with thread - nominal size G22

KEIFLEX + NON-THREAD RIGID STEEL CONDUIT/NON-THREADABLE RIGID STEEL CONDUIT



If the price become an important consideration in choosing products, K2 SERIES (K2KI, K2K2I, K2KE, K2K2E) is also available. Refer to the category of K2 SERIES.

Item number		Connectable conduit	
WATER RESISTANT	NON-WATER RESISTANT	KEIFLEX	NON-THREAD RIGID STEEL CONDUIT
KMKI 10	—	10	G16
KMKI 12	—	12	G16
KMKI 16	KMK2I 16	16	G16
KMKI 22	KMK2I 22	22	G22
KMKI 28	KMK2I 28	28	G28
KMKI 36	KMK2I 36	36	G36
KMKI 42	KMK2I 42	※	G42
KMKI 54	KMK2I 54	54	G54
KMKI 70	—	70	G70
KMKI 82	—	82	G82
KMKI 92	—	92	G92
KMKI 104	—	104	G104

Item number		Connectable conduit	
WATER RESISTANT	NON-WATER RESISTANT	KEIFLEX	NON-THREADABLE RIGID STEEL CONDUIT/NON-THREAD RIGID STEEL CONDUIT
KMKE 10	KMK2E 10	10	E19/C19
KMKE 12	KMK2E 12	12	E19/C19
KMKE 16	KMK2E 16	16	E19/C19
KMKE 22	KMK2E 22	22	E25/C25
KMKE 28	KMK2E 28	※	E31/C31
KMKE 36	KMK2E 36	36	E39/C39
KMKE 42	KMK2E 42	42	E51/C51
KMKE 54	KMK2E 54	54	E63/C63
KMKE 70	—	70	E75/C75