

Mounting Pole

φ50 (φ40)

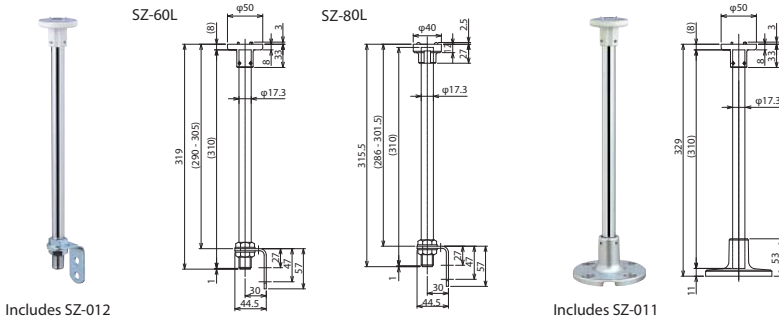
SZ-60L
SZ-80L



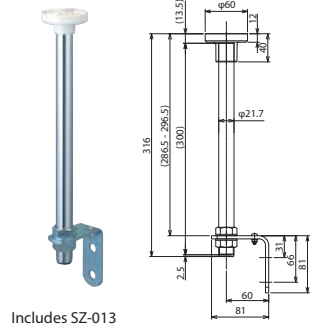
SZ-60T



SZ-70L



φ60



φ70

SZ-50L



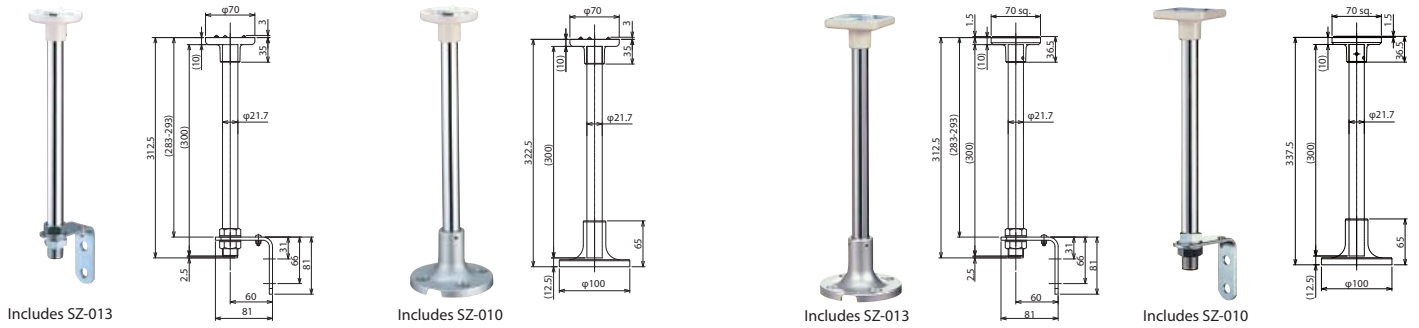
SZ-50T



SZ-40L



SZ-40T

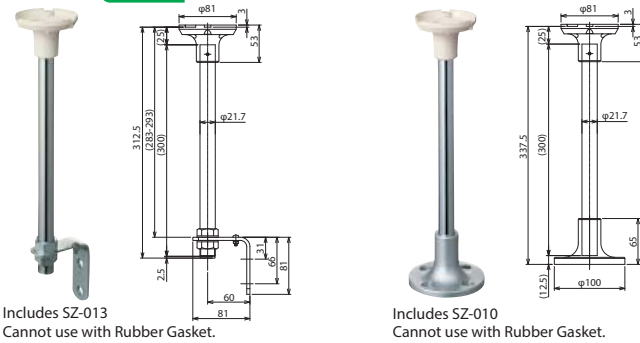


φ81

SZ-30L



SZ-30T



Model	Material					
	Upper Bracket	Pole	'L' Bracket	Cord Bushing	Mounting Bracket	Compatible Models
SZ-80L	ABS Resin	Carbon-steel Pipe	SPHC	6/6 Nylon	—	LCE-W
SZ-60L	ADC12		SPHC	6/6 Nylon	—	LE-W, LES-AW
SZ-60T	—	—	—	—	ADC12	—
SZ-70L	ABS Resin	Carbon-steel Pipe	SPHC	EPT	—	LME-W
SZ-50L	ADC12		SPHC	EPT	—	LU7, LHE-A
SZ-50T	—	—	—	—	ADC12	—
SZ-40L	ADC12	Carbon-steel Pipe	SPHC	EPT	—	KUS
SZ-40T	—		—	—	ADC12	—
SZ-30L	ABS Resin		SPHC	EPT	—	RLE, RU, RH, PS, PES-A
SZ-30T	—	—	—	—	ADC12	—

ADC12: Aluminum Alloy Die-cast SPHC: Hot Rolled Milled (Sheet) Steel
EPT: Ethylene Propylene Rubber

Mounting Bracket

SZ-010



SZ-011

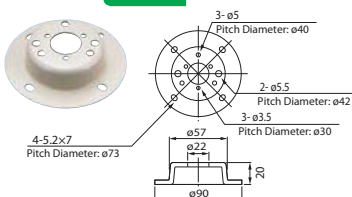


SZ-016A

SZ-70-B



SZ-014



Model	Material	Compatible Models
SZ-010	Aluminum Alloy Die-cast	RUP, LME, LMS, LHE
SZ-011		LCE, LCS, LE, LES-A
SZ-016A	Cold-rolled Milled Steel	LUS, LU7, RUP, LME, LMS, LHE
SZ-014		LE, LES-A
SZ-70-B	ABS	φ21.7mm Pole