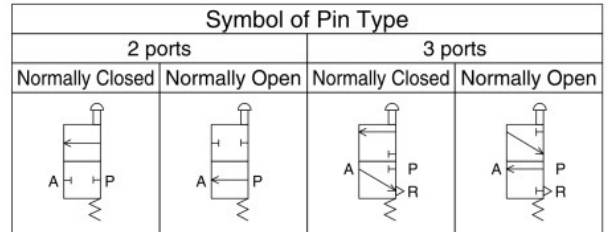
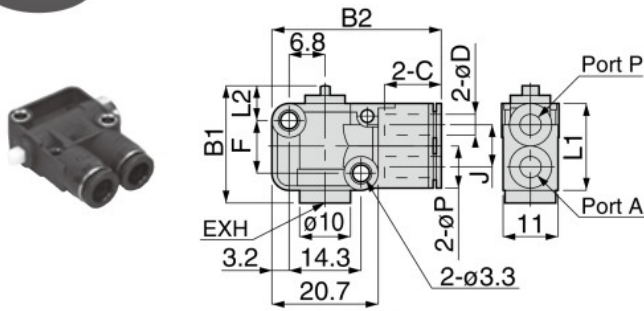


Micro Switch Open-Air Exhaust Pin Type

MVM Micro Switch Open-Air Exhaust Pin Type

CAD



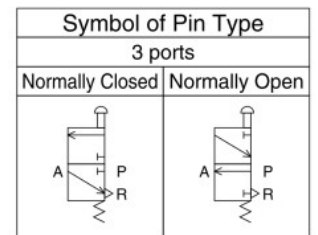
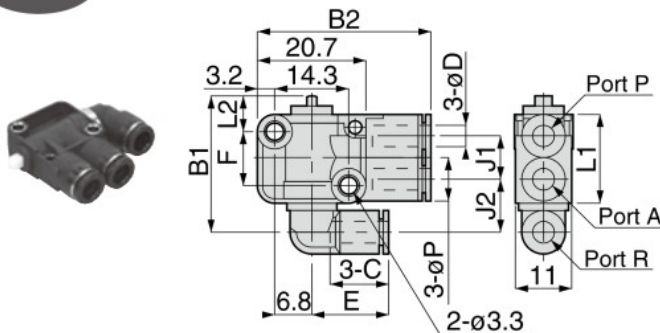
Unit : mm

Model code	Tube O.D. øD	B1		B2	L1	L2	øP	Tube end C	J	F	Weight (g)	Effective area (mm ²)	CAD file name
		max.	min.										
MVM 4□	4	23.5	21.1	33	17	7.2	8	11	8	10.6	10	3	CHM-001
MVM 4□A													
MVM 6□	6	30.7	27.1	33.4	22	7.2	10.5	11.6	10.5	15.6	12	7	
MVM 6□A													

※ □ in Model code / Replaced with "2" for Two-directional control valve, "3" for Three-directional control valve.

MVM Micro Switch Tube Exhaust Pin Type

CAD

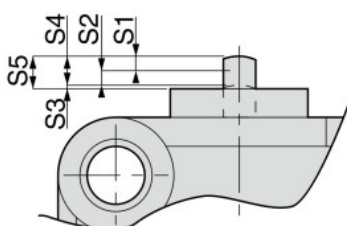


Unit : mm

Model code	Tube O.D. øD	B1		B2	L1	L2	øP	Tube end C	J1	J2	E	F	Weight (g)	Effective area (mm ²)	CAD file name
		max.	min.												
MVM 43-J	4	26.4	24	33	17	7.2	8	11	8	10.4	15	10.6	11	3	CHM-001
MVM 43A-J															
MVM 63-J	6	34.8	31.2	33.4	22	7.2	10.5	11.6	10.5	13.9	16.4	15.6	14	7	
MVM 63A-J															

Push pin stroke dimension / Micro Switch Pin Type

Unit : mm



Tube O.D. øD	Free stroke range S1	Operating stroke range S2	Sub stroke S3	Recommended stroke S4	Limit stroke S5
4	1	1	0.4	2	2.4
6	1.6	1.6	0.4	3.2	3.6