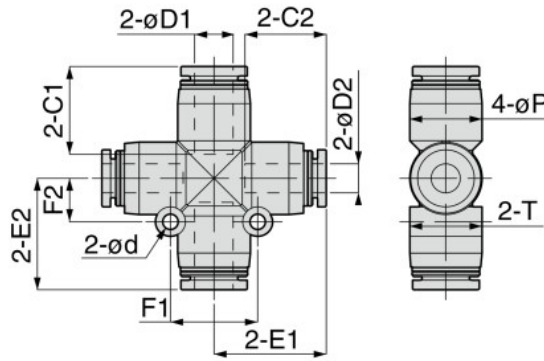


PZB Unequal Cross

RoHS compliant



OP P.754

3D CAD

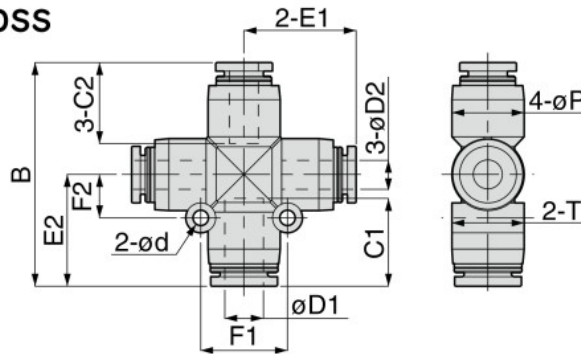
CAD

Unit : mm

Model code	Tube O.D. øD1	Tube O.D. øD2	E1	E2	øP	Tube end C1	Tube end C2	F1	F2	ød	T	Orifice bore (ømm)	Weight (g)	CAD file name
PZB8-6④	8	6	23.25	23.2	15	18.2	16.9	18	9	3.2	15	5	20	PZB8-6
PZB10-8④	10	8	26.7	27	17.5	20.7	18.2	22.5	11.3	4.2	17.5	7	29	PZB10-8
PZB12-10④	12	10	30.5	30.7	21	23.4	20.7	24.5	12.3	4.2	21	9	44	PZB12-10
PZB5/16-1/4④	5/16	1/4	23.25	23.2	15	18.2	16.9	18	9	3.2	15	5	19	PZB5_16-1_4
PZB3/8-5/16④	3/8	5/16	26.7	27	17.5	20.7	18.2	22.5	11.3	4.2	17.5	7	30	PZB3_8-5_16
PZB1/2-3/8④	1/2	3/8	30.5	31	21	23.7	20.7	24.5	12.3	4.2	21	9	44	PZB1_2-3_8

PZC Reducing Cross

RoHS compliant



OP P.754

3D CAD

CAD

Unit : mm

Model code	Tube O.D. øD1	Tube O.D. øD2	B	E1	E2	øP	Tube end C1	Tube end C2	F1	F2	ød	T	Orifice bore (ømm)	Weight (g)	CAD file name
PZC8-6④	8	6	46.5	23.25	23.2	15	18.2	16.9	18	9	3.2	15	5	19	PZC8-6
PZC10-8④	10	8	53.7	26.7	27	17.5	20.7	18.2	22.5	11.3	4.2	17.5	7	28	PZC10-8
PZC12-10④	12	10	61.2	30.5	30.7	21	23.4	20.7	24.5	12.3	4.2	21	9	44	PZC12-10
PZC5/16-1/4④	5/16	1/4	46.45	23.25	23.2	15	18.2	16.9	18	9	3.2	15	5	19	PZC5_16-1_4
PZC3/8-5/16④	3/8	5/16	53.7	26.7	27	17.5	20.7	18.2	22.5	11.3	4.2	17.5	7	28	PZC3_8-5_16
PZC1/2-3/8④	1/2	3/8	61.5	30.5	31	21	23.7	20.7	24.5	12.3	4.2	21	9	44	PZC1_2-3_8

Common caution in this page

- ※ 1. ④ in Model code / Replaced with "W" for Light-gray color, "-C" for Clean-room package, "W-C" for Light-gray color and Clean-room package, "-UC" for Clean-wash and Clean-room package
- ※ 2. Orifice bore is the smallest passage converted in terms of the diameter.